

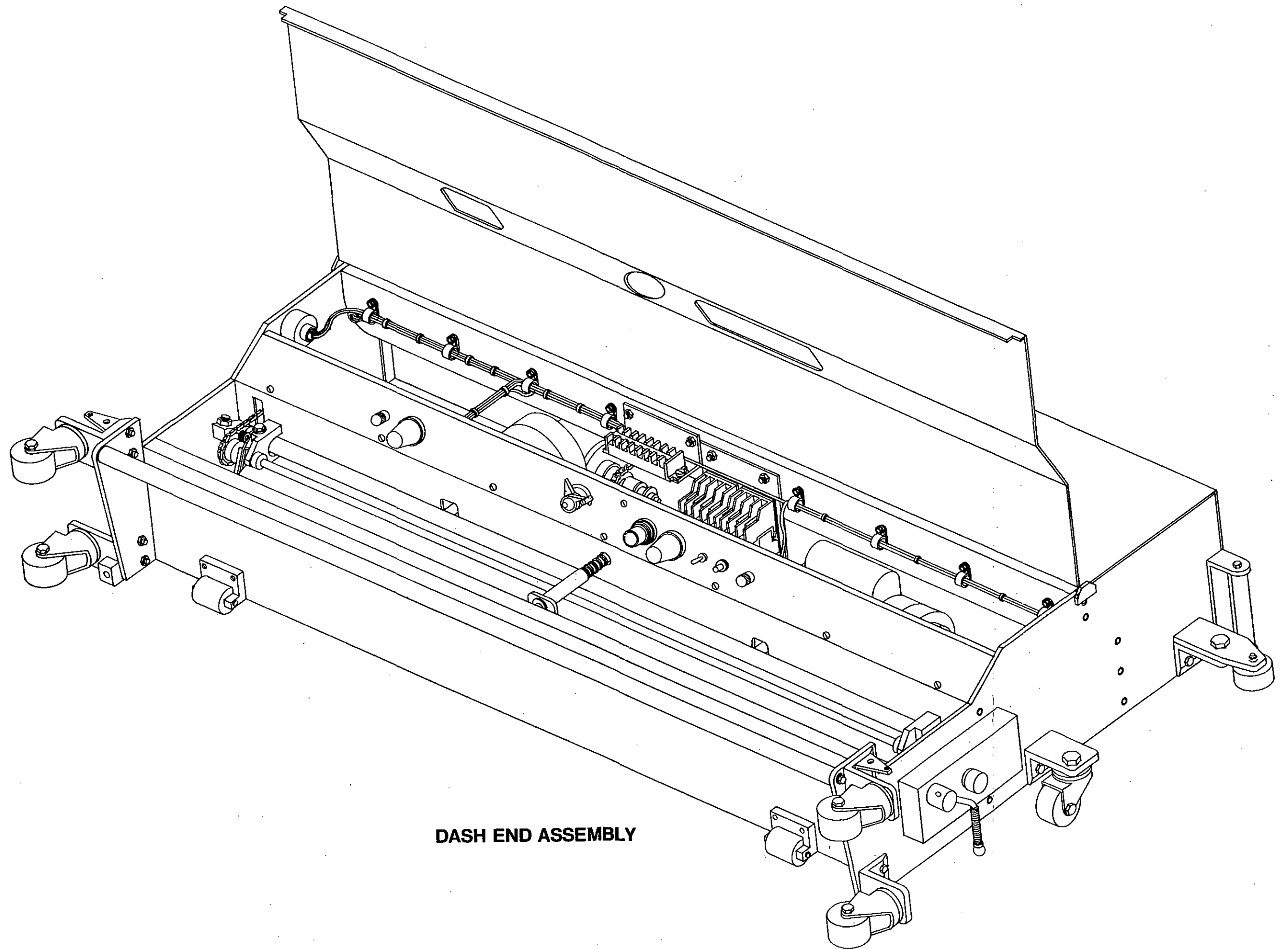
# CENTURY 100<sup>TM</sup>

International Corporation<sup>®</sup>

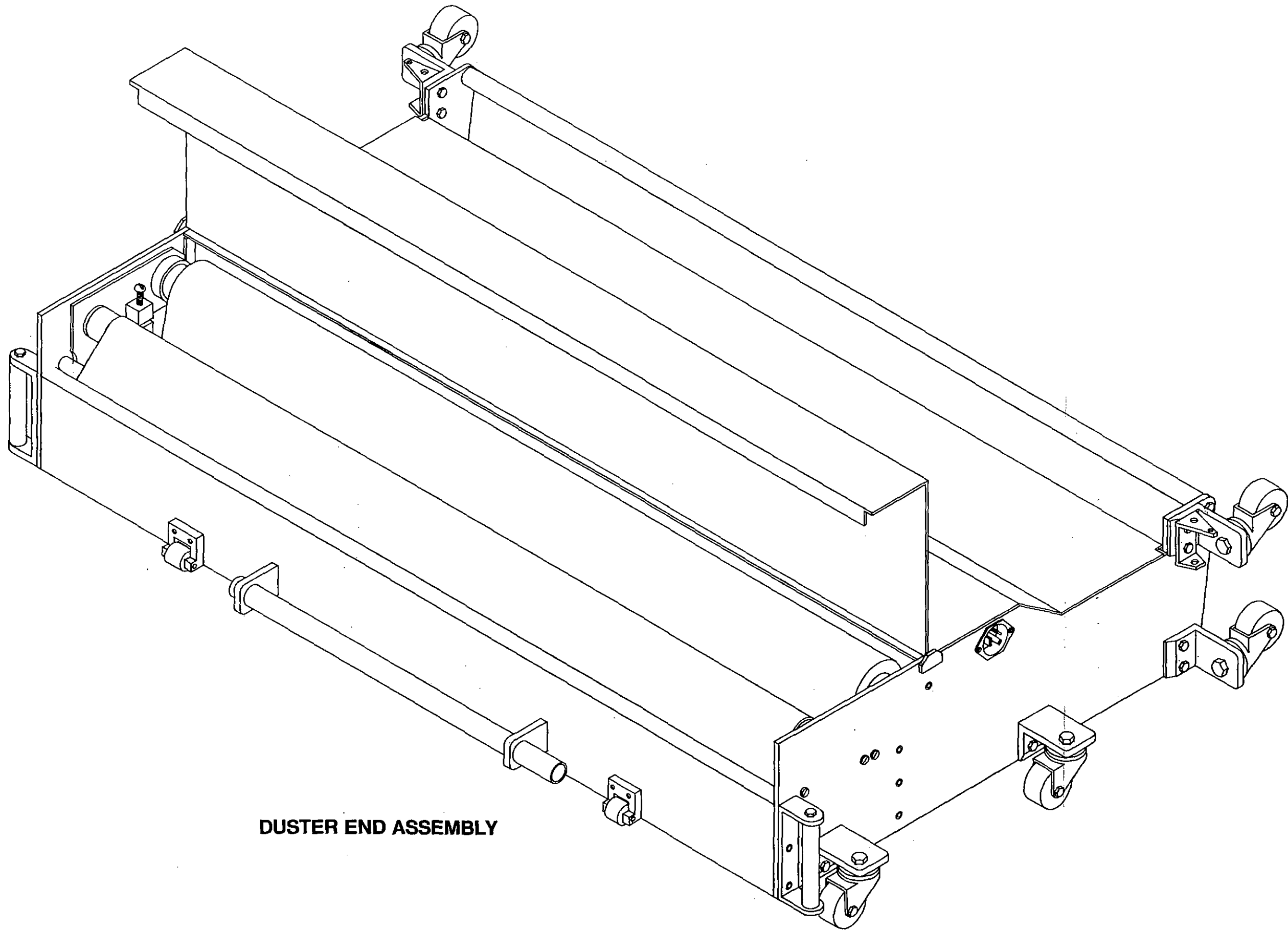


## PARTS MANUAL

<b>ILL. NO.</b>	<b>DESCRIPTION</b>	<b>PAGE NO.</b>
1	Dash End Assembly	3
2	Duster End Assembly	4
3	Frame Assembly	6
4	Base Plate Assembly	8
5	Phenolic Roller, Buffer & Tank View	10
6	Duster End Overview	12
7	Dash Assembly — Model C	14
8	Dash Assembly — Model B #033251 and up	16
9	Dash Assembly — Models A & B below #033251	18
10	Hood Assembly	20
11	Drive Shaft Assembly	22
12	Drive Motor Assembly	24
13	Cam Box Assembly	26
14	Phenolic Roller Assembly	28
15	Buffer Bearing Assemblies	30
16	Cord Arm Assembly	32
17	Power Cord Assembly	34
18	Duster Idler Bracket Assembly	36
19	Duster Drive Bracket Assembly	38
20	Buffer Adjusting Block Assembly	40
21	Front Guide Bracket Assembly	42
22	Buffer Pressure Adjusting Tool	44
23	Handle Assembly	46
24	Optional Shut Off Arm Linkage Kit	48



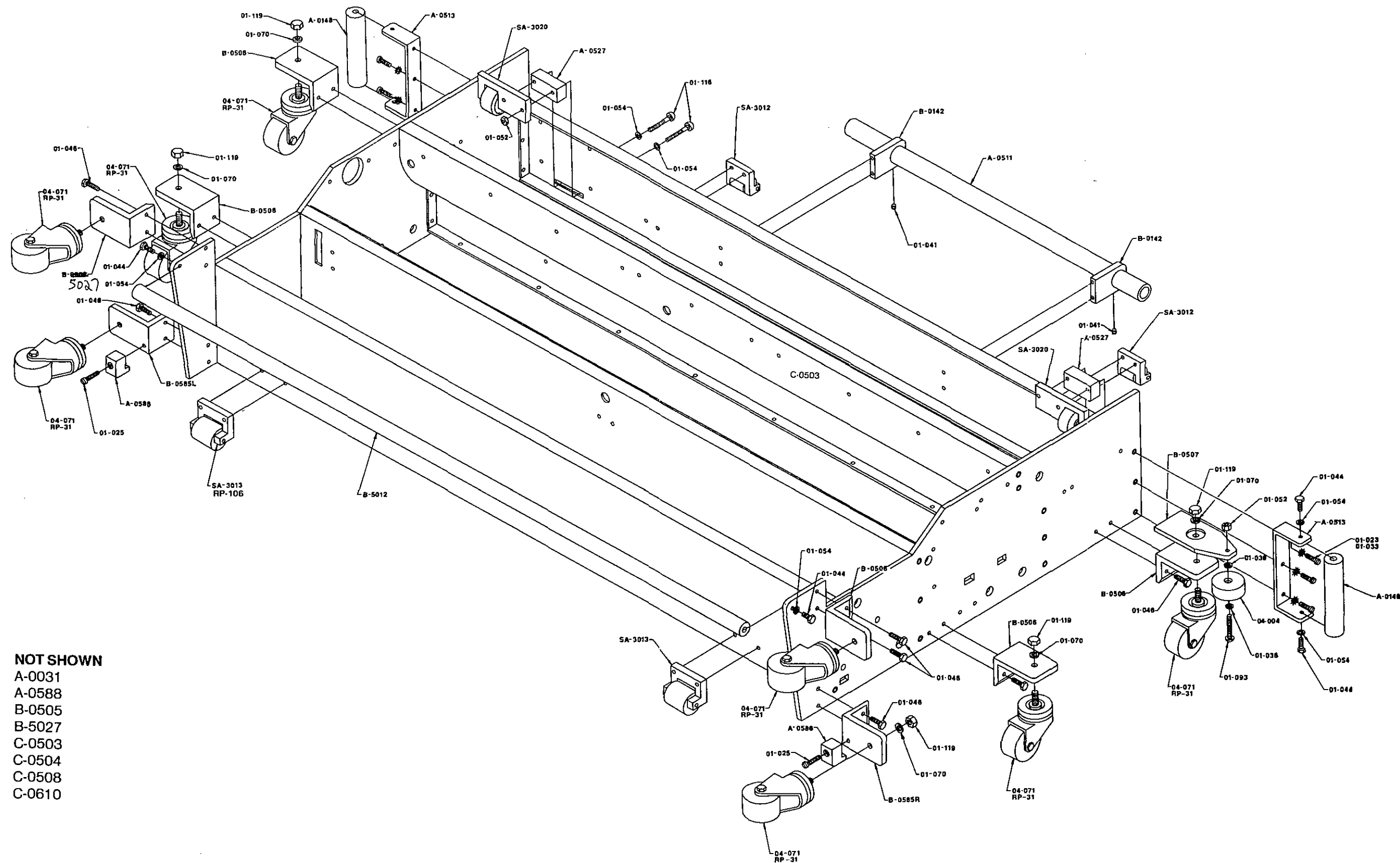
**DASH END ASSEMBLY**



**DUSTER END ASSEMBLY**

## FRAME ASSEMBLY

<u>Part No.</u>	<u>Description</u>
SA-3012	Duster End Plate Roller Assembly
SA-3013	Dash End Plate Roller Assembly
SA-3020	Front Guide Bracket Assembly
B-0142	Handle Holder Bracket
A-0148	End Handle
B-0506	Caster Bracket
B-0507	Centering Guide Plate
A-0511	Duster End Plate Handle
A-0513	Side Handle Bracket
A-0527	Front Guide Spacer
B-0585-R	Pivot Caster Bracket - Right
B-0585-L	Pivot Caster Bracket - Left
A-0586	Pivot Caster Block
B-5012	Handle - Rear
RP-31	Caster "O" Ring
01-023	10-32 x 3/4 Slotted Pan Head Machine Screw
01-025	10-32 x 1" Slotted Pan Head Machine Screw
01-033	#10 External Lockwasher
01-036	3/16 Flat Washer
01-041	1/4-20 x 1/4 Hex Socket Head Set Screw, Cup Point
01-044	1/4-20 x 5/8 Hex Screw
01-046	1/4-20 x 3/4 Hex Screw
01-052	1/4-20 Hex Steel Machine Nut
01-054	1/4 Split Lockwasher
01-070	3/8 Split Lockwasher
01-093	1/4-20 x 1-1/2 Slotted Round Head Machine Screw
<b>01-116</b>	<b>1/4-20 x 1" Carriage Screw</b>
01-119	3/16 Steel Acorn Nut
04-004	Caster Wheel
04-071	Caster



**NOT SHOWN**

- A-0031
- A-0588
- B-0505
- B-5027
- C-0503
- C-0504
- C-0508
- C-0610

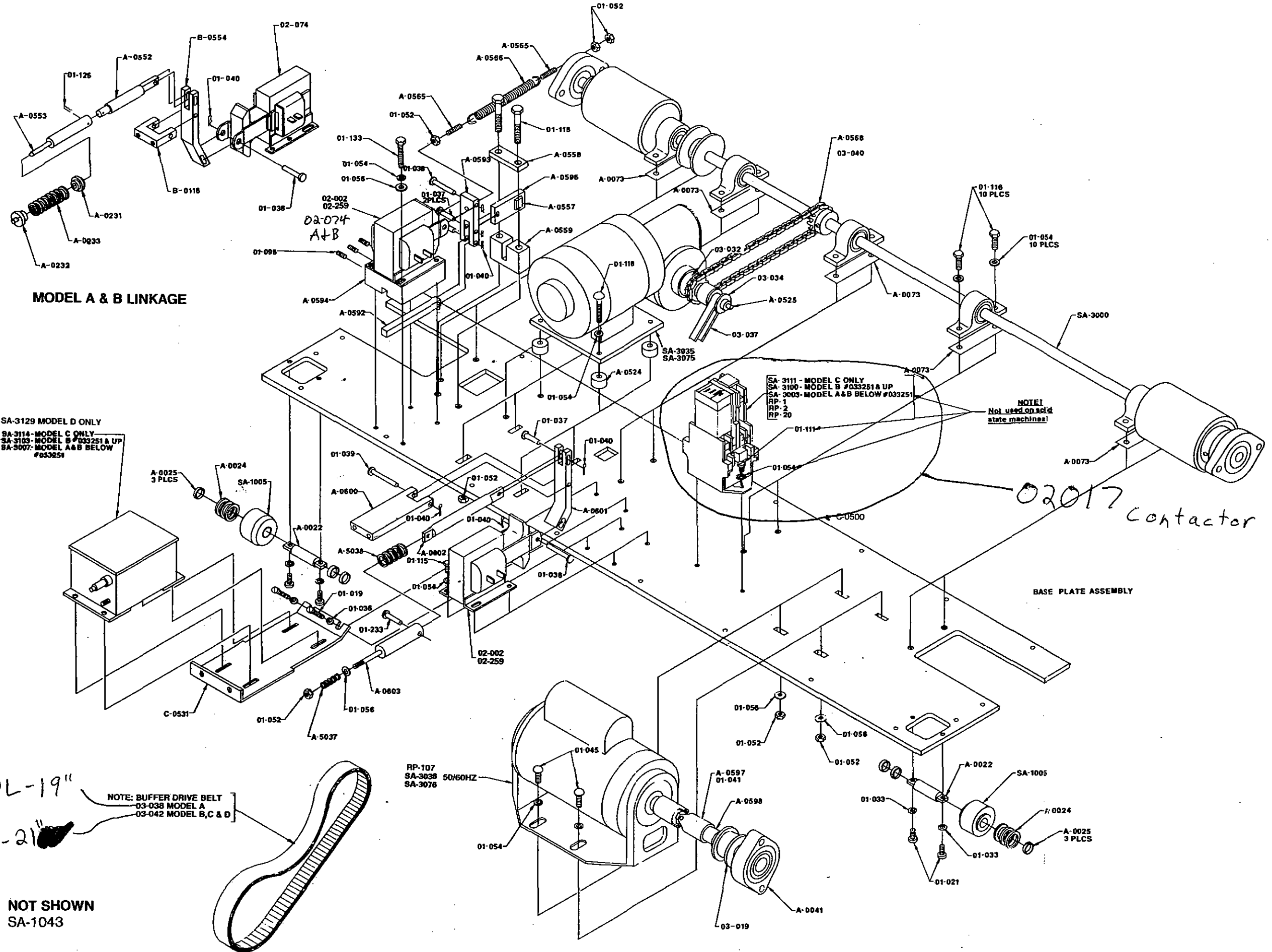
**FRAME ASSEMBLY**

**BASE PLATE ASSEMBLY**

<u>Part No.</u>	<u>Description</u>
SA-1005	Base Plate Guide Roller Assembly
SA-3000	Drive Shaft Assembly
SA-3001	Drive Motor Assembly - 60 HZ
SA-3003	Reversing Unit Assembly
SA-3007	Cam Box Assembly
SA-3032	Buffer Motor Assembly - 60 HZ
SA-3033	Drive Motor Assembly - 50 HZ
SA-3034	Buffer Motor Assembly - 50 HZ
SA-3100	Reversing Unit Assembly
SA-3103	Cam Box Assembly
SA-3111	Reversing Unit Assembly
SA-3114	Cam Box Assembly
A-0022	Base Plate Nylon Guide Roller Shaft
A-0024	Roller Guide Spring - Rear
A-0025	Base Plate Nylon Guide Roller Wheel
A-0041	Bearing - Drive Shaft End
A-0073	Pillow Block Shim
B-0116	Tank Tilt Solenoid Arm Bracket
A-0231	Tank Tilt Spring Retainer - Front
A-0232	Tank Tilt Spring Retainer - Rear
A-0233	Oil Tank Spring
A-0524	Drive Motor Spacer
A-0525	Timing Gear Shaft
C-0531	Cam Box Mounting Plate
A-0552	Tank Solenoid Arm
A-0553	Tank Push Rod
B-0554	Tank Solenoid Linkage
A-0557	Brake Pad
A-0558	Top Brake Bracket
A-0559	Bottom Brake Bracket
A-0565	Brake Spring Bolt
A-0566	Brake Spring
A-0568	Drive Shaft Chain
A-0592	Brake Pivot
A-0593	Brake Linkage
A-0594	Brake Spacer
A-0595	Brake Lever
A-0597	U-Joint
A-0598	U-Joint Spacer
A-0600	Tank Solenoid Arm Bracket
A-0601	Tank Solenoid Arm
A-0602	Tank Solenoid Rod
A-0603	Tank Pull Rod
A-5037	Oil Tank Linkage Spring
A-5038	Oil Tank Return Spring
RP-1	Points
RP-2	Points

SA 3035  
 RP107  
 SA 3036

<u>Part No.</u>	<u>Description</u>
RP-19	Narrow Guide Set
RP-20	Bellows Assembly
01-019	10-32 x 3/8 Slotted Pan Head Machine Screw
01-021	10-32 x 1/2 Slotted Pan Head Machine Screw
01-033	#10 External Lockwasher
01-036	3/16 Flat Washer
01-037	3/16 Dia x 1" Clevis Pin
01-038	3/16 Dia x 1-1/2 Clevis Pin
01-039	3/16 Dia x 1-3/4 Clevis Pin
01-040	3/64 Dia x 9/16 Long Hair Pin Clip
01-041	1/4-20 x 1/4 Hex Socket Head Set Screw, Cup Point
01-045	1/4-20 x 3/4 Carriage Screw
01-052	1/4-20 Hex Steel Machine Nut
01-054	1/4 Split Lockwasher
01-056	1/4 Flat Washer
01-080	1/16 Dia x 1/2 Cotter Pin
01-098	10-32 x 3/8 Hex Socket Head Set Screw, Flat Point
01-115	1/4-20 x 1/2 Hex Screw
01-116	1/4-20 x 1" Carriage Screw
01-118	3/8-16 x 3/4 Hex Screw
01-133	1/4-20 x 1-1/2 Hex Screw
02-002	Solenoid
02-074	Solenoid
03-019	Pulley
03-031	Belt
03-032	Sprocket
03-034	Pulley
03-038	Buffer Drive Belt - Model A
03-039	#35 Single Strand Roller Chain
03-040	Connecting Link for #35 Chain
03-042	Buffer Drive Belt - Models B & C



**MODEL A & B LINKAGE**

SA-3129 MODEL D ONLY  
 SA-3114-MODEL C ONLY  
 SA-3103-MODEL B #033251 & UP  
 SA-3007-MODEL A & B BELOW #633251

SA-3111-MODEL C ONLY  
 SA-3100-MODEL B #033251 & UP  
 SA-3003-MODEL A & B BELOW #033251  
 RP-1  
 RP-2  
 RP-20

**NOTE!**  
 Not used on solid state machines!

02017 Contactor

**BASE PLATE ASSEMBLY**

187L-19"  
 210L-21"  
 NOTE: BUFFER DRIVE BELT  
 03-038 MODEL A  
 03-042 MODEL B, C & D

NOT SHOWN  
 SA-1043

**BASE PLATE ASSEMBLY**

RP-107  
 SA-3038 50/60HZ  
 SA-3078

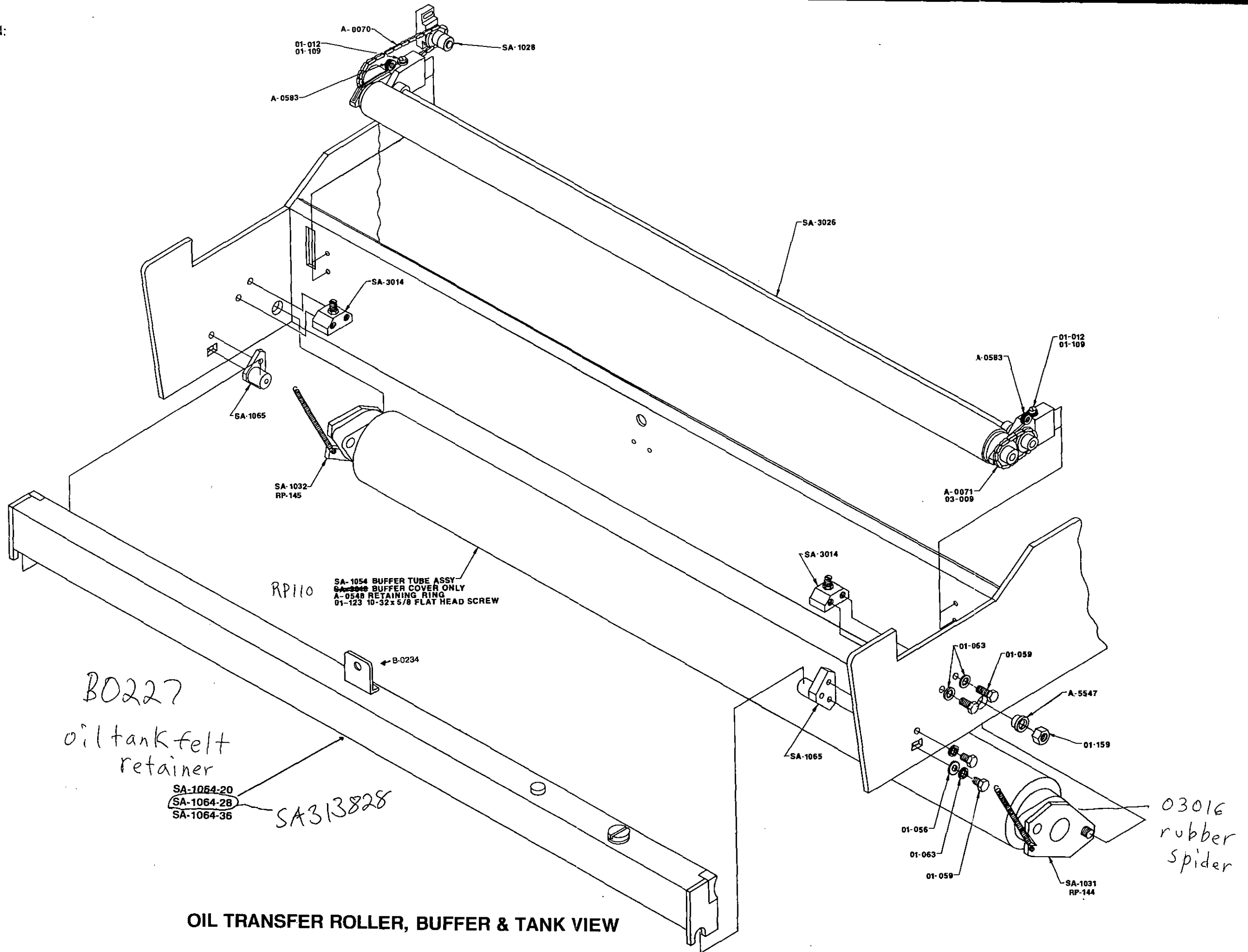


## PHENOLIC ROLLER, BUFFER & TANK VIEW

<u>Part No.</u>	<u>Description</u>
SA-1028	Chain Idler Assembly
SA-1031	Dressing Buffer Drive Assembly
SA-1032	Dressing Buffer Idler Assembly
SA-1054	Buffer Tube Assembly
<del>SA-1054</del>	<del>Oil Tank Assembly</del>
SA-1065	Oil Tank Adjusting Arm Assembly
SA-3014	Buffer Adjusting Block Assembly
SA-3018	Buffer Tube Cover Assembly
SA-3026	Phenolic Roller Assembly
A-0070	Idler Sprocket Chain
A-0071	Phenolic Roller Chain
A-0548	Retaining Ring
A-0583	Phenolic Roller Spring
A-5547	Bearing Stud Bushing
01-012	8-32 x 5/8 Slotted Pan Head Machine Screw
01-056	1/4 Flat Washer
01-059	5/16-18 x 3/4 Hex Screw
01-063	5/16 Split Lockwasher
01-109	#8 Flat Washer
01-123	10-32 x 5/8 Slotted Flat Head Machine Screw
01-159	7/16-20 Nylon Insert Hex Locknut
03-009	Connecting Link
B-0234	Oil Tank Push Rod Bracket
B-0227	Oil Tank Metal Retainer
03-016	Rubber Spider Coupling
SA1064-20	Oil Tank Assembly 20"
SA1064-28	Oil Tank Assembly 28"
SA1064-36	Oil Tank Assembly 36"
B1032A	High Flow 20"
B1032B	High Flow 28"
B1032	High Flow 36"
RP59	Oil Tank Repair Kit
RP110	Lamb Skin Cover - edge to edge
294002301	7 to 7 Mohair Cover
294002302	10 to 10 Mohair Cover

NOT SHOWN:

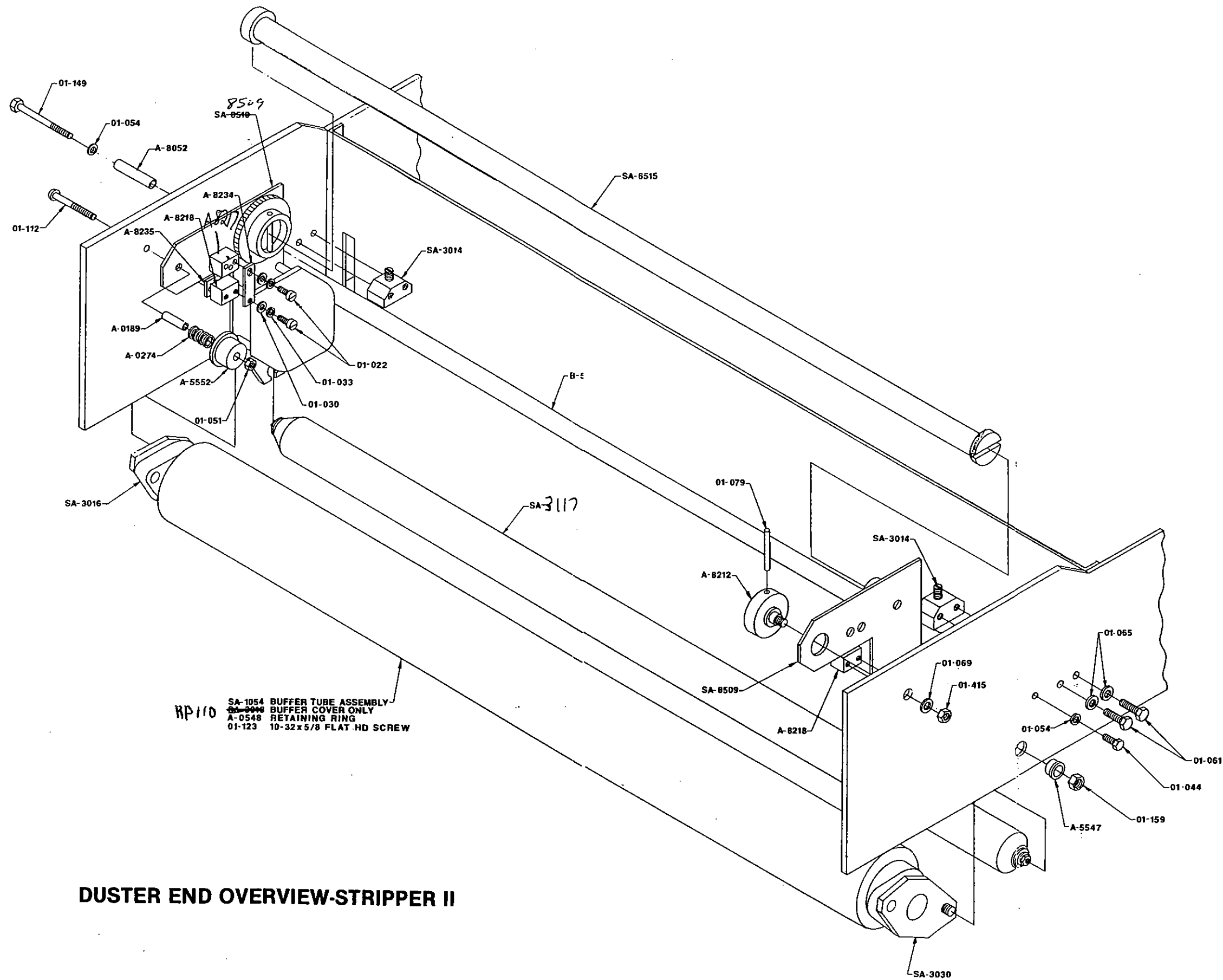
- A-0263
- A-0632
- A-0633
- A-5044
- B-0227
- B-0228-20
- B-0228-28
- B-0228-36
- SA-6525
- 04-158
- A-0069



OIL TRANSFER ROLLER, BUFFER & TANK VIEW

## DUSTER END OVERVIEW

<u>Part No.</u>	<u>Description</u>
SA-1056	Duster Pressure Roller Assembly
SA-1062	Duster Cloth Drive Tube Assembly
SA-3021	Duster Drive Bracket Assembly - Model C
SA-3021-1	Duster Drive Bracket Assembly - Model A & B
SA-3022	Duster Idler Bracket Assembly - Model C
SA-3022-1	Duster Idler Bracket Assembly - Model A & B
SA-3117	Duster Pressure Roller Assembly
A-0189	Steel Roller Spacer - Short
A-0192	Cloth Idler Tube
A-0274	Duster Spring - Motor Side
A-5545	Cloth Idler End
A-5552	Cloth Idler Support
A-8212	Duster Cloth Idler
A-8217	Duster Adjusting Block
A-8218	Duster Stop
A-8224	Duster Alignment Nut
A-8225	Duster Alignment Washer
<b>A-0167-1</b>	<b>Duster Tube Cover</b>
01-015	8-32 Hex Steel Machine Nut
01-023	10-32 x 3/4 Slotted Pan Head Machine Screw
01-033	#10 External Lockwasher
01-051	1/4-20 Nylon Insert Hex Locknut
01-056	1/4 Flat Washer
01-062	5/16-18 Hex Steel Machine Nut
01-063	5/16 Split Lockwasher
01-069	3/8 Flat Washer
01-079	1/8 Dia x 2 Roll Pin
01-112	1/4-20 x 2 Slotted Round Head Machine Screw
01-161	Phenolic Washer
01-415	3/8-16 Nylon Insert Hex Locknut

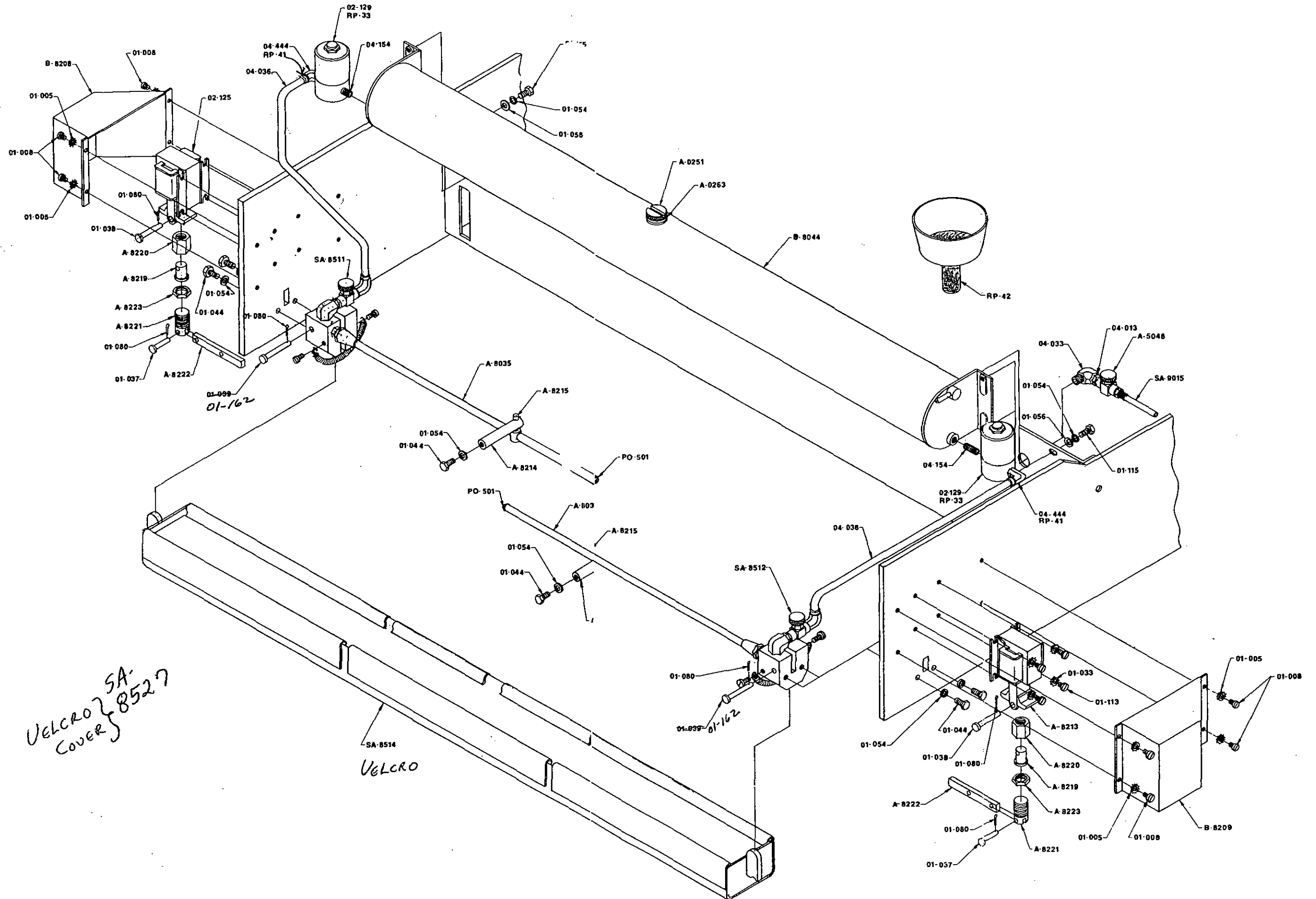


RP110  
 SA-1054 BUFFER TUBE ASSEMBLY  
 SA-3016 BUFFER COVER ONLY  
 A-0548 RETAINING RING  
 01-123 10-32 x 5/8 FLAT HD SCREW

**DUSTER END OVERVIEW-STRIPPER II**

## SOLVENT SECTION VIEW ASSEMBLY

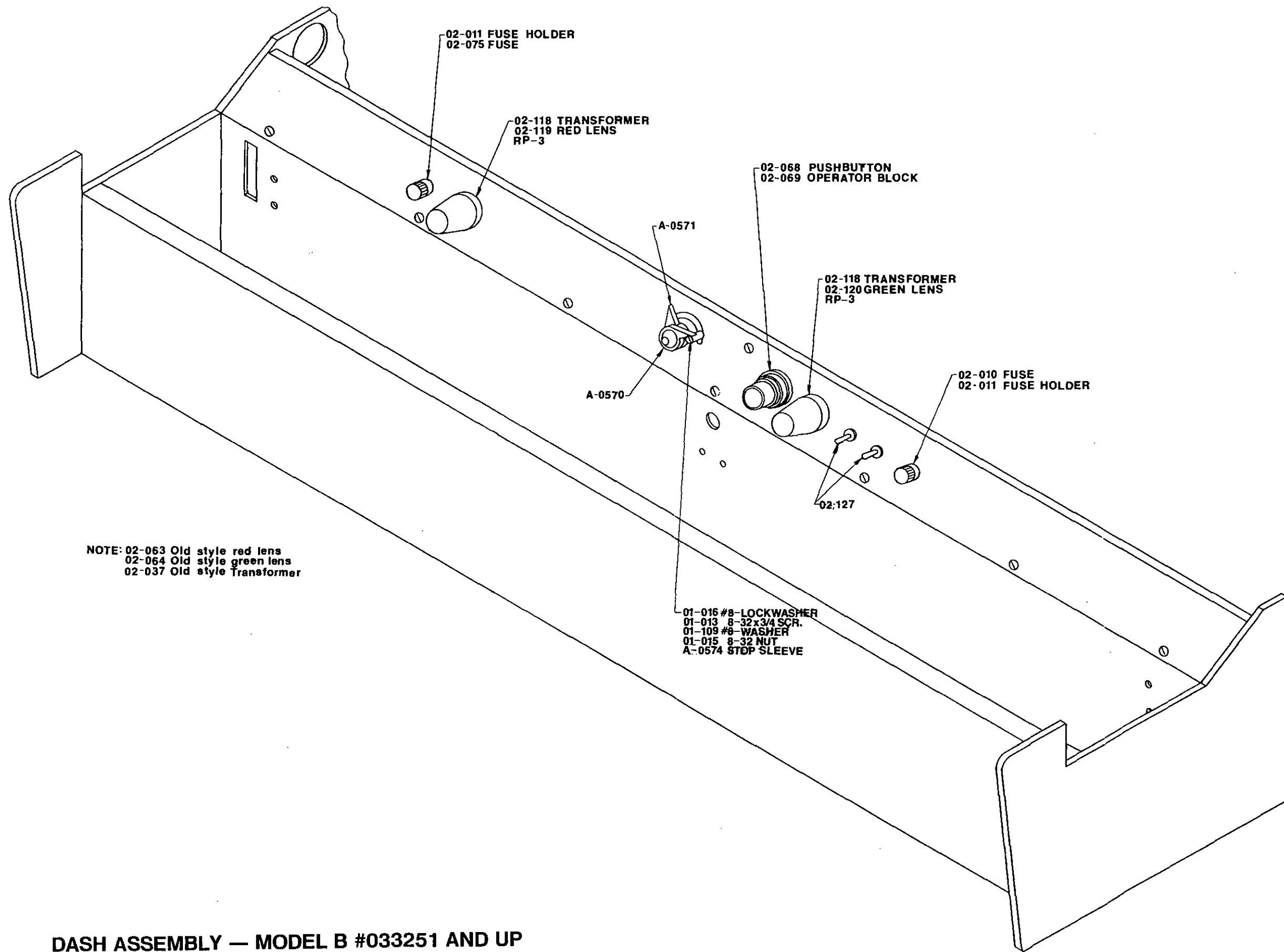
<u>Part No.</u>	<u>Description</u>
*SA-8511	Tray Mount Assembly - Right
*SA-8512	Tray Mount Assembly - Left
*SA-8514	Solvent Tray Assembly
*SA-9015	Drain Tube Assembly
*A-0251	Solvent Tank Plug
A-0263	Solvent Tank Filler Plug Washer
*A-5046	Shut-Off Valve
*A-8035	Solvent Manifold
*B-8044	Solvent Tank
*B-8208	Solenoid Cover - Right
*B-8209	Solenoid Cover - Left
*A-8213	Tray Solenoid - Left
*A-8214	Manifold Adjuster Support
*A-8215	Manifold Adjuster
*A-8219	Linkage Swivel
*A-8220	Linkage Nut
*A-8221	Linkage Stud
*A-8222	Linkage Arm
*A-8223	Linkage Lock
*RP-33	Valve Nut Tool
*RP-41	Plastic Sleeve
*RP-42	Plastic Funnel
*PO-501	Orifice
01-005	#6 External Lockwasher
01-008	8-32 x 1/4 Slotted Pan Head Machine Screw
01-033	#10 External Lockwasher
01-037	3/16 Dia x 1" Clevis Pin
01-038	3/16 Dia x 1-1/2 Clevis Pin
01-039	3/16 Dia x 1-3/4 Clevis Pin
01-044	1/4-20 x 5/8 Hex Screw
01-054	1/4 Split Lockwasher
01-056	1/4 Flat Washer
01-080	1/16 Dia x 1/2 Cotter Pin
*01-113	10-32 x 1/4 Slotted Pan Head Machine Screw
01-115	1/4-20 x 1/2 Hex Screw
*02-125	Solenoid
*02-129	Valve
*04-013	Brass Hex Nipple
*04-033	Brass Street Elbow
*04-036	Polyethelene Tubing
*04-154	Brass Close Nipple
*04-444	Male Elbow
SA-8527	cleaner pad cover w/velcro



**SOLVENT SECTION ASSEMBLY**

## DASH AND ELECTRICAL ASSEMBLY

PART NO.	DESCRIPTION
SA-1048	Starter Button Assembly
SA-3027	Shut-Off Arm Assembly
SA-8515	Contactor Assembly (Not Used on Solid State Unit)
A-0102	Starter Box Left Side Plate
B-0103	Starter Box Top Cover
B-0104	Starter Box Bottom Cover
A-0109	Shut-Off Cam
A-0112	Shut-Off Arm Spring
A-0113	Shut-Off Retract Spring
A-0269	Starter Button Spring
B-0522	Terminal Block Mounting Angle
B-0560	Starter Box Front Plate
A-0561	Starter Box Micro Mounting Plate
A-5064	Pointer
B-8248	Shut-Off Shaft
A-8249	Shut-Off Arm Stud
A-8253	Shut-Off Arm Support Stud
RP-3	Pilot Light Bulb (Not Used on Solid State Unit)
01-003	6-32 x 1-1/4 Slotted Round Head Machine Screw
01-006	8-32 x 3/16 Hex Socket Head Set Screw, Cup Pt.
01-007	8-32 x 1/4 Hex Socket Head Set Screw, Cup Pt.
01-008	8-32 x 1/4 Slotted Pan Head Machine Screw
01-016	#8 External Lockwasher
01-021	10-32 x 1/2 Slotted Pan Head Machine Screw
01-025	10-32 x 1" Slotted Pan Head Machine Screw
01-028	10-32 x 1-1/2 Slotted Round Head Machine Screw
01-032	10-32 Hex Steel Machine Nut
01-033	#10 External Lockwasher
01-080	1/16 Dia x 1/2 Cotter Pin
01-134	8-32 x 1/4 Slotted Flat Head Machine Screw
02-009	Switch
02-010	Fuse - 6-1/4 Amp (Not Used on Solid State Unit)
02-011	Fuse Holder
02-015	Sectional Terminal Block
02-016	Terminal Block End Section
02-036	Switch
02-074	Micro Switch
02-075	Fuse - 15 Amp (Not Used on Solid State Unit)
02-080	AC Contactor (Not Used on Solid State Unit)
02-082/083	Switch/Pushbutton Module (Not Used on Solid State Unit)
02-084	Knurled Facenut (Not Used on Solid State Unit)
02-089	Flush 3 Wire Plug
02-118	Transformer (Not Used on Solid State Unit)
02-119	Red Lens (Not Used on Solid State Unit)
02-121	Blue Lens (Not Used on Solid State Unit)
02-122	Amber Lens (Not Used on Solid State Unit)
02-127	Switch
04-080	Spacer

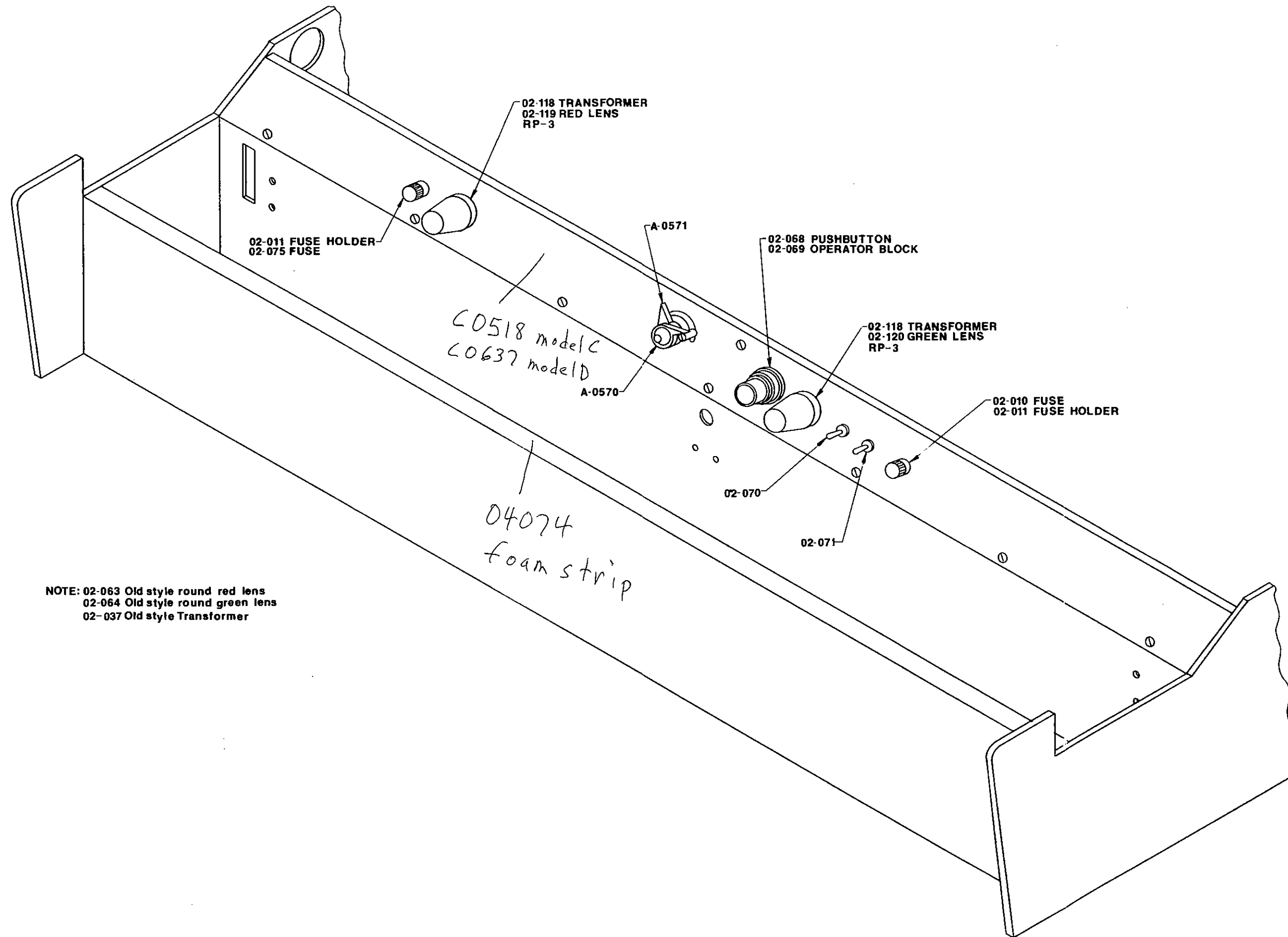


DASH ASSEMBLY — MODEL B #033251 AND UP



## DASH ASSEMBLY — MODELS A & B BELOW #033251

<u>Part No.</u>	<u>Description</u>
A-0570	Distance Pointer
A-0571	Oil Pointer
RP-3	Pilot Light Bulb
02-010	Fuse - 6-1/4 Amp
02-011	Fuse Holder
02-037	Old Style Transformer
02-063	Red Lens
02-064	Green Lens
02-068	Pushbutton Operator
02-069	Pushbutton Operator Block
02-070	Switch
02-071	Switch
02-075	Fuse - 15 Amp
02-118	Transformer
02-119	Red Lens
02-120	Green Lens
04-074	foam
C-0518	dash model C
C-0637	dash model D

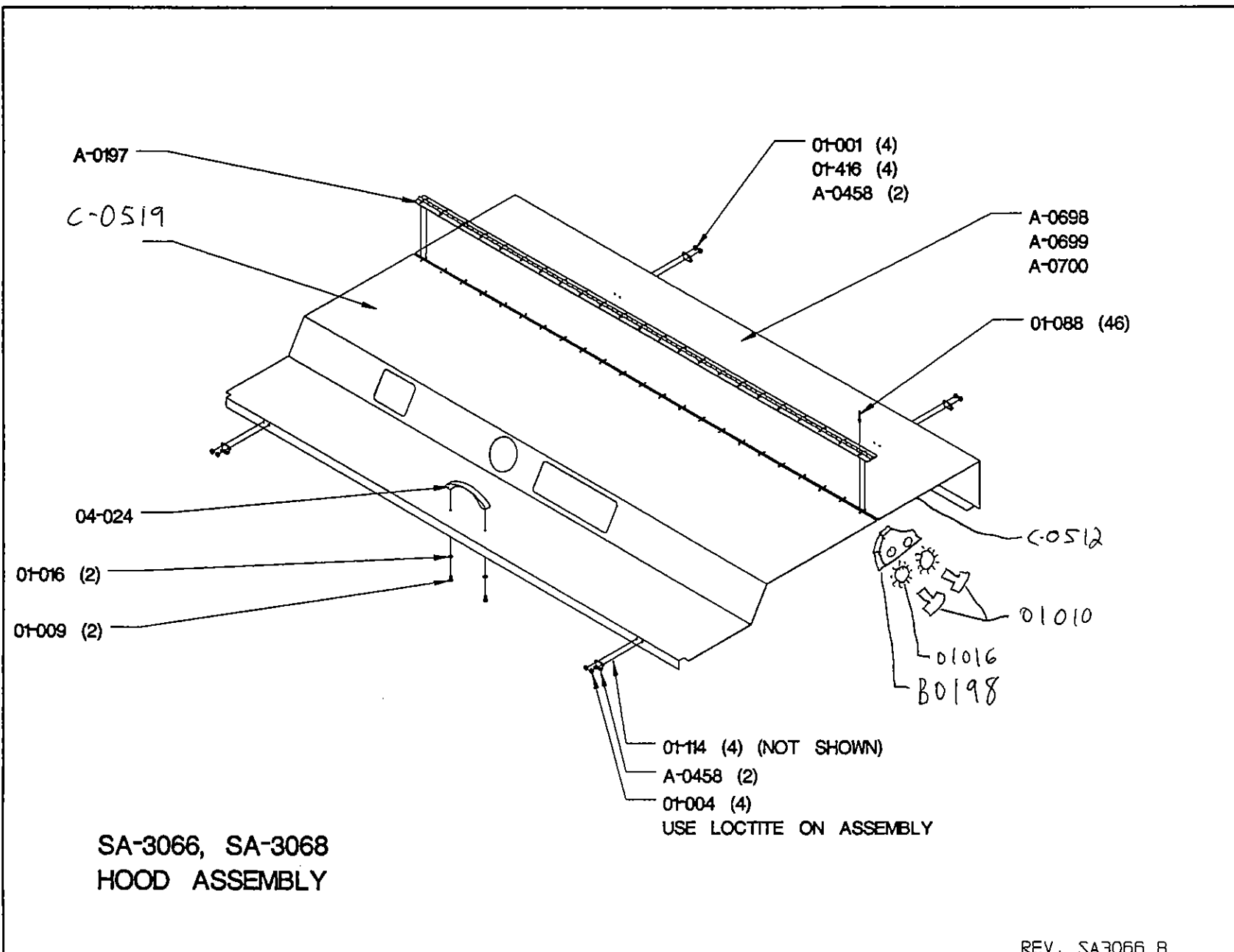


DASH ASSEMBLY — MODELS A & B BELOW #033251

## HOOD ASSEMBLY

<u>Part No.</u>	<u>Description</u>
A-0197	Hood Hinge
B-0198	Hood Hanger
C-0512	Duster End Hood
C-0519	Dash End Hood
01-002	6-32 x 1/2 Slotted Round Head Machine Screw
01-004	6-32 Hex Steel Machine Nut
01-005	#6 External Lockwasher
01-010	8-32 x 1/2 Slotted Pan Head Machine Screw
01-016	#8 External Lockwasher
01-088	1/8 Dia x 1/8 Aluminum Pop Rivet
04-024	Door Pull
<del>04-073</del>	Draw Pull Catch

A0458



A-0197

C-0519

01-001 (4)  
01-416 (4)  
A-0458 (2)

A-0698  
A-0699  
A-0700

01-088 (46)

04-024

01-016 (2)

01-009 (2)

C-0512

01010

01016  
B0198

01-114 (4) (NOT SHOWN)

A-0458 (2)

01-004 (4)

USE LOCTITE ON ASSEMBLY

SA-3066, SA-3068  
HOOD ASSEMBLY

## DRIVE SHAFT ASSEMBLY

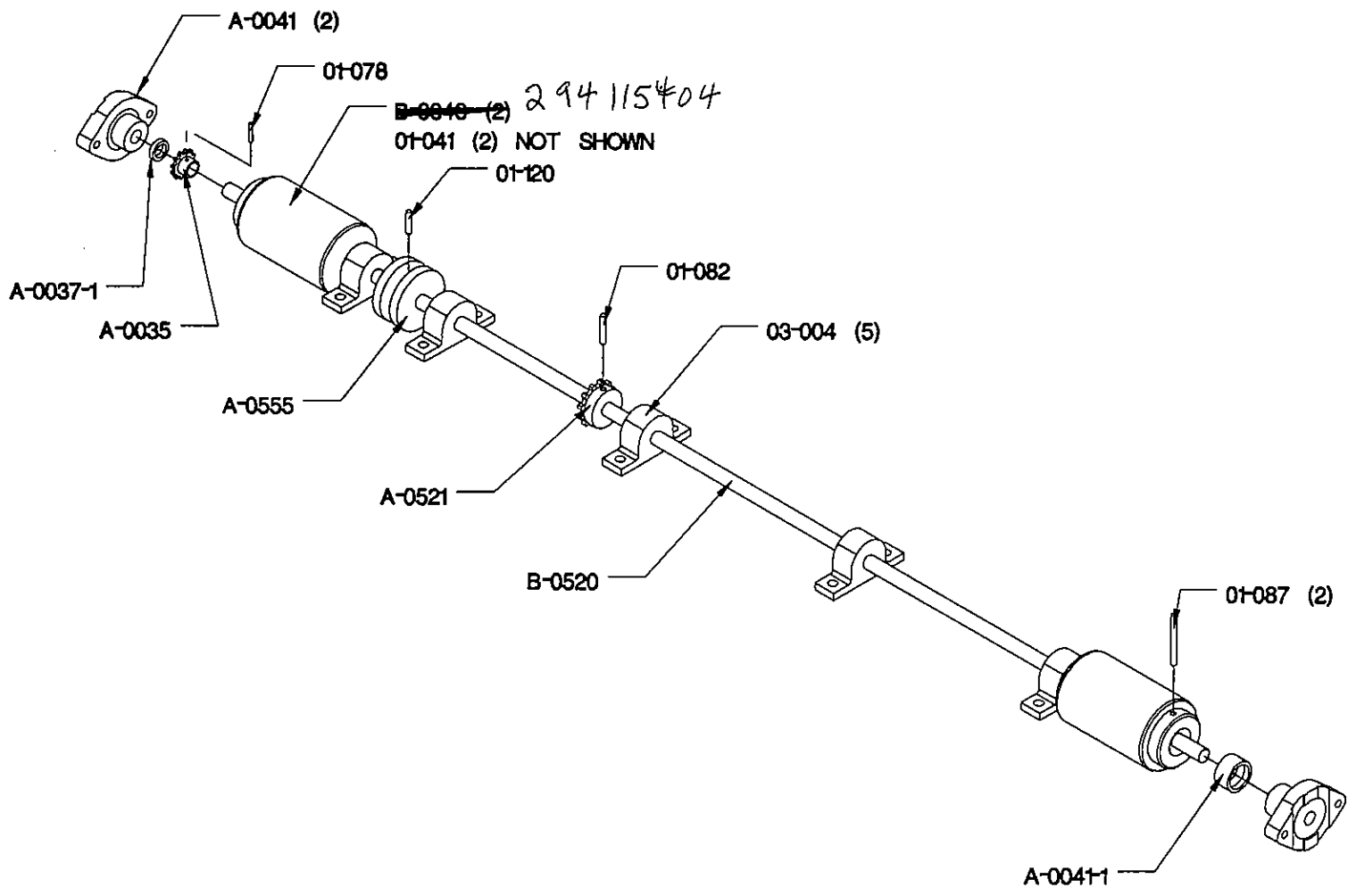
<u>Part No.</u>	<u>Description</u>
A-0035	Drive Shaft Sprocket
<del>B-0040-R</del>	Drive Wheel Hub - Right 294115404
<del>B-0040-L</del>	Drive Wheel Hub - Left
B-0520	Drive Shaft
A-0521	Drive Shaft Sprocket
A-0555	Brake Disc
01-041	1/4-20 x 1/4 Hex Socket Head Set Screw, Cup Point
01-078	1/8 Dia x 3/4 Roll Pin
01-082	3/16 Dia x 1-1/8 Roll Pin
01-087	3/16 Dia x 2 Roll Pin
01-120	3/16 Dia. x 7/8 Roll Pin
03-004	Pillow Block Bearing

A-0041 - bearing

A-0041-1 - locking collar

B-0040 drive wheel hub-pair

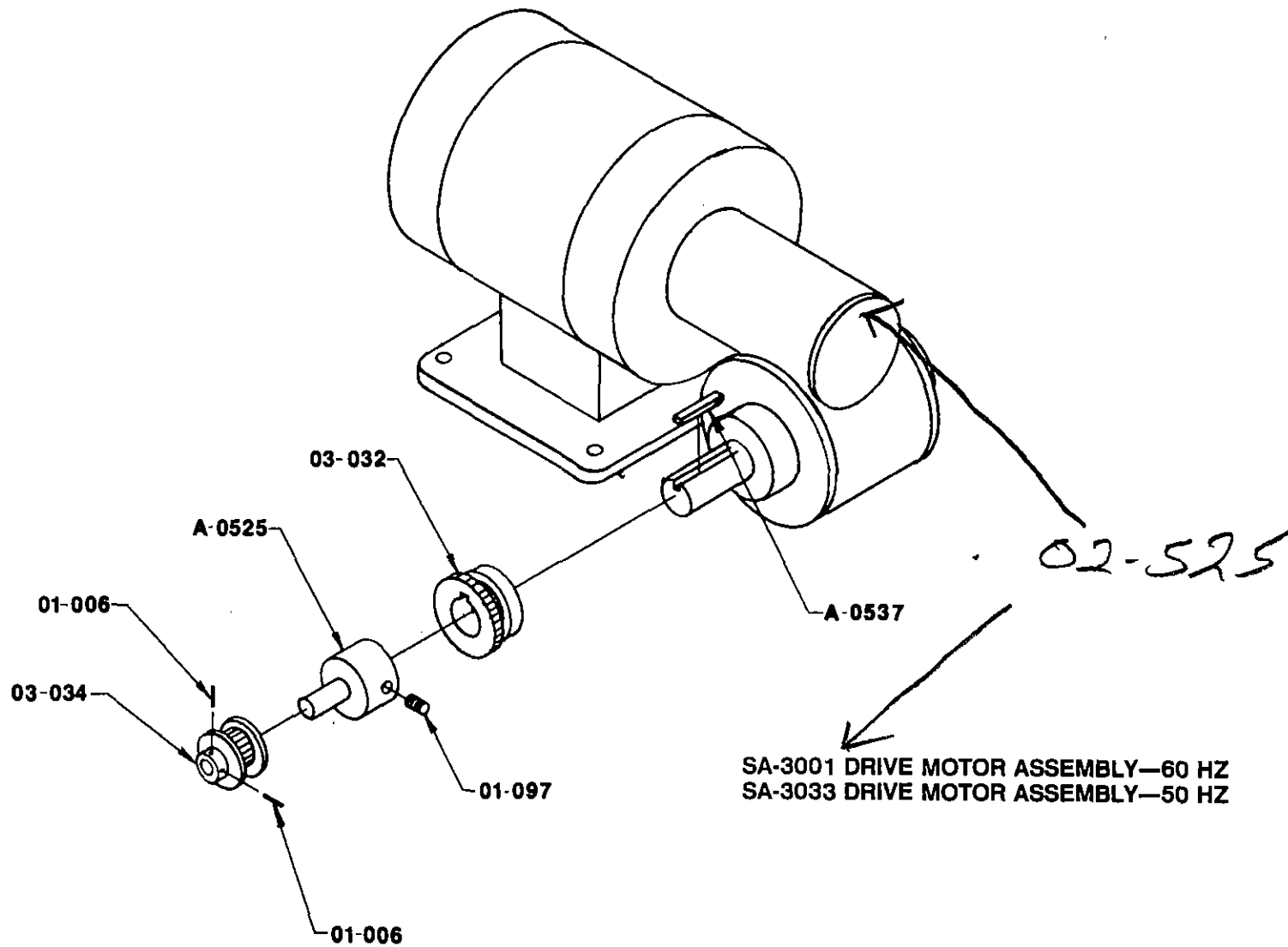
SA-3000 drive shaft assy.



**SA-3000**  
**DRIVE SHAFT ASSEMBLY**

## DRIVE MOTOR ASSEMBLY

<u>Part No.</u>	<u>Description</u>
A0525	Timing Gear Shaft
A-0537	Drive Sprocket Key
01-006	8-32 x 3/16 Hex Socket Head Set Screw, Cup Point
01-097	10-32 x 1/4 Hex Socket Head Set Screw, Cup Point
03-032	Sprocket
03-034	Pulley
02-525	drive motor 10:1 110V 50/60hz
SA3035	drive motor assembly- 60hz
SA3033	drive motor assembly- 50hz
02-292	drive motor 10:1 220V 50/60hz



DRIVE MOTOR ASSEMBLY



## CAM BOX ASSEMBLY

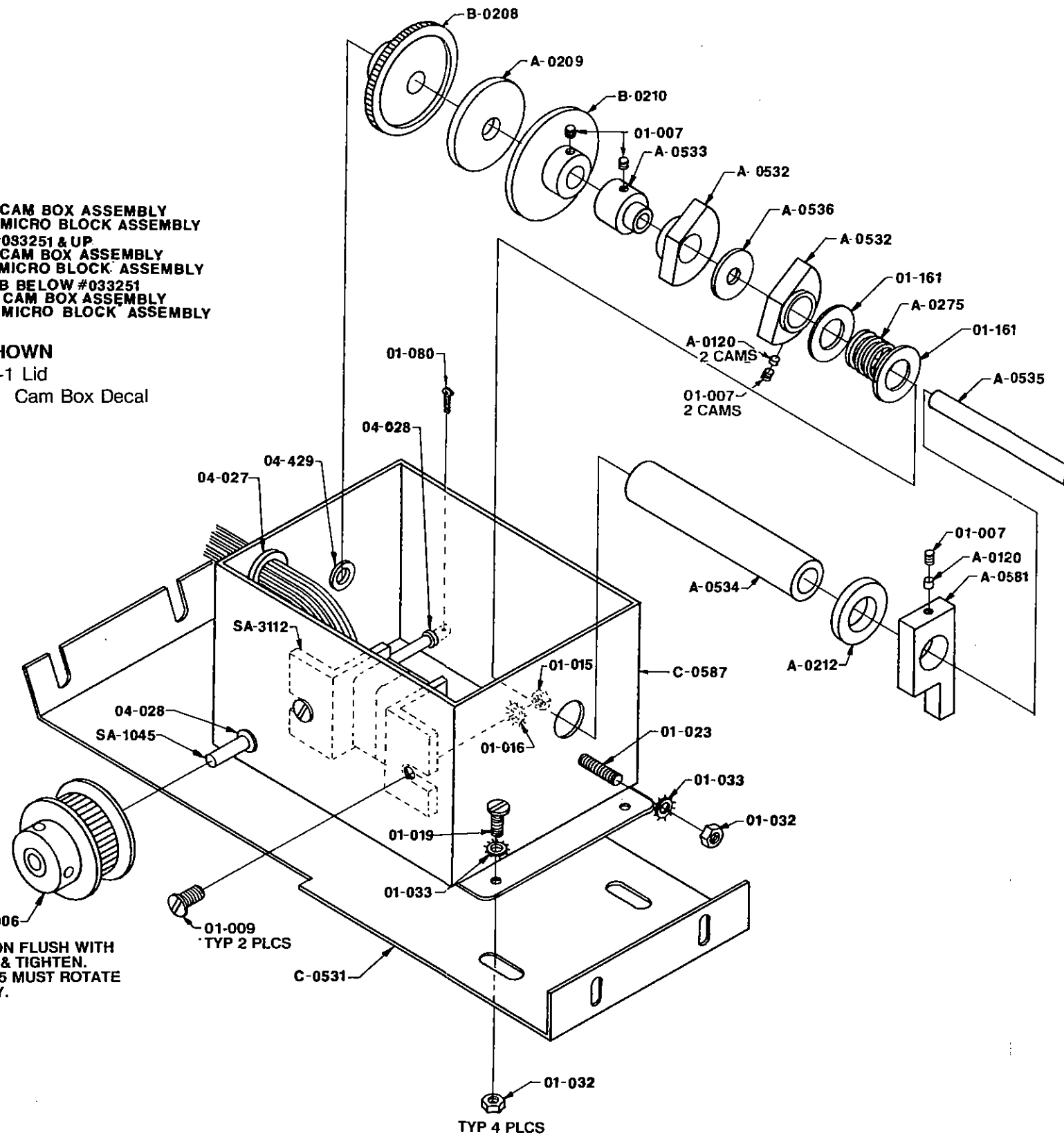
<u>Part No.</u>	<u>Description</u>
SA-1045	Cam Box Worm Gear Shaft Assembly
SA-3005	Micro Block Assembly
SA-3006	Cam Box Pulley Assembly
SA-3007	Cam Box
SA-3101	Micro Block Assembly
SA-3103	Cam Box Assembly
SA-3112	Micro Block Assembly
A-0120	Set Screw Slug
C-0200-1	Lid
B-0208	Worm Clutch Gear Drive
A-0209	Worm Clutch Rubber Drive
B-0210	Slip Clutch Plate
A-0212	Upper Cam Shaft Outside Spacer
A-0275	Cam Box and Brake Spring
C-0531	Cam Box Mounting Plate
A-0532	Cam
A-0533	Lower Cam Shaft
A-0534	Outer Cam Shaft
A-0535	Inner Cam Shaft
A-0536	Cam Clutch
A-0581	Distance Control Arm
01-007	8-32 x 1/4 Hex Socket Set Screw, Cup Point
01-009	8-32 x 3/8 Slotted Pan Head Machine Screw
01-015	8-32 Hex Steel Machine Screw
01-016	#8 External Lockwasher
01-019	10-32 x 3/8 Slotted Pan Head Machine Screw
01-023	10-32 x 3/4 Slotted Pan Head Machine Screw
01-032	10-32 Hex Steel Machine Nut
01-033	#10 External Lockwasher
01-080	1/16 Dia x 1/2 Cotter Pin
01-161	.505 ID Linen Base Phenolic Washer
04-027	Rubber Grommet
04-028	Flange Bushing
04-029	Flange Bushing
02-293	micro switch
SA-3114	cam box assy.

NOTE:  
 MODEL C  
 SA-3114 CAM BOX ASSEMBLY  
 SA-3112 MICRO BLOCK ASSEMBLY  
 MODEL B #033251 & UP  
 SA-3103 CAM BOX ASSEMBLY  
 SA-3101 MICRO BLOCK ASSEMBLY  
 MODEL A & B BELOW #033251  
 SA-3007 CAM BOX ASSEMBLY  
 SA-3005 MICRO BLOCK ASSEMBLY

NOT SHOWN  
 C-0200-1 Lid  
 A-0296 Cam Box Decal

Cam box belt  
 03-037

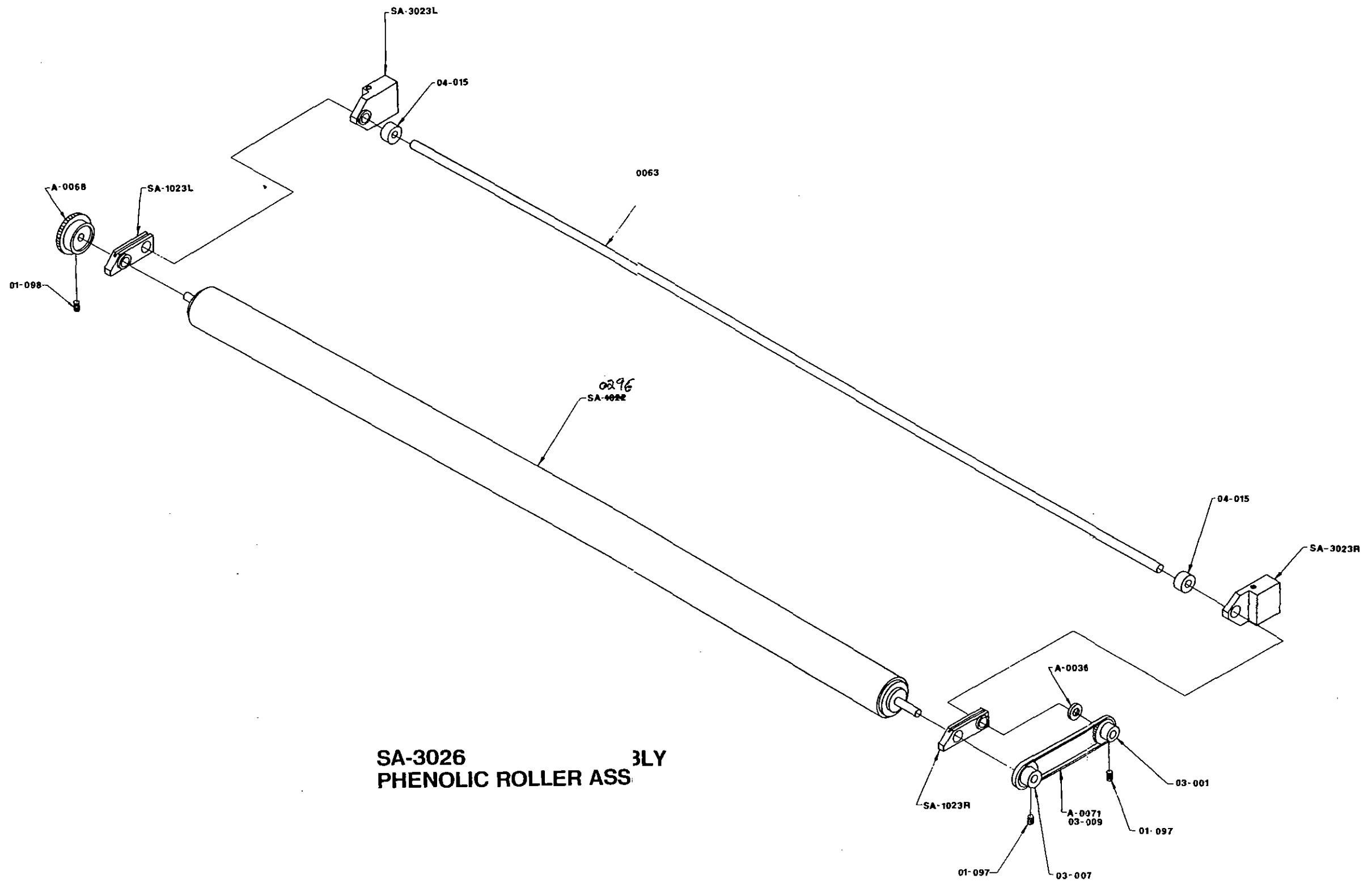
SA-3006  
 PUSH ON FLUSH WITH  
 04-028 & TIGHTEN.  
 SA-1045 MUST ROTATE  
 FREELY.



CAM BOX ASSEMBLY MODELS A, B & C

## PHENOLIC ROLLER ASSEMBLY

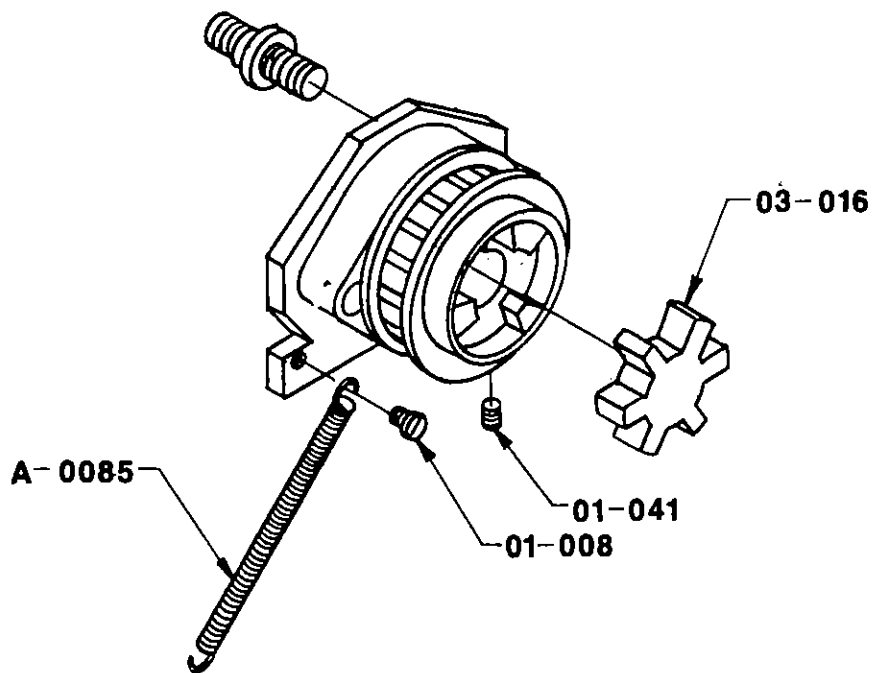
<u>Part No.</u>	<u>Description</u>
SA-1022	Phenolic Roller Assembly
SA-1023R	Roller Support Arm Assembly - Right
SA-1023L	Roller Support Arm Assembly - Left
SA-3023R	Phenolic Roller Support Arm Assembly - Right
SA-3023L	Phenolic Roller Support Arm Assembly - Left
A-0036	Roller Drive Shaft Washer
♣B-0063	Roller Drive Shaft
A-0068	Receiver Sprocket
A-0071	Phenolic Roller Chain
01-097	10-32 x 1/4 Socket Head Set Screw, Cup Point
01-098	10-32 x 3/8 Socket Head Set Screw, Cup Point
03-001	Sprocket
03-007	Sprocket
03-009	Connector Link
04-015	Set Screw Collar
♣SA-3026	phenolic roller assy.



SA-3026 PHENOLIC ROLLER ASS 3LY

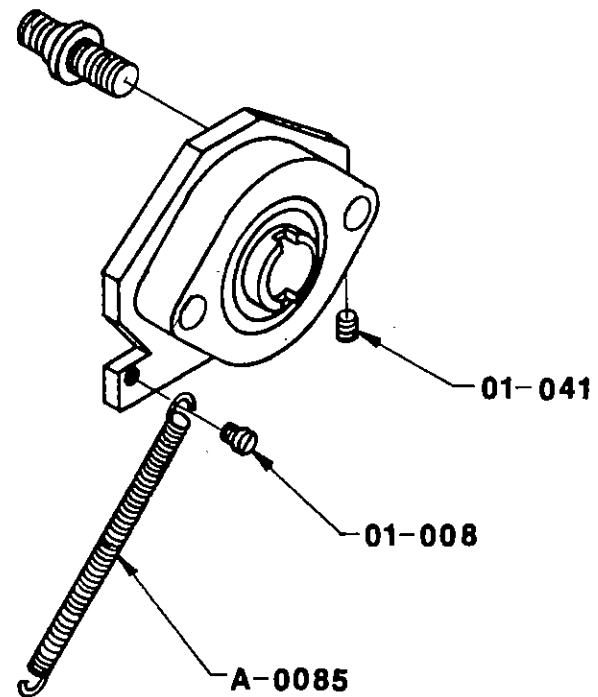
## **BUFFER BEARING ASSEMBLIES**

<u>Part No.</u>	<u>Description</u>
A-0085	Dressing & Cleaning Buffer Bearing Mounting Plate Spring
01-008	8-32 x 1/4 Slotted Pan Head Machine Screw
01-041	1/4-20 x 1/4 Hex Socket Head Set Screw, Cup Point
03-016	Coupling Rubber Spider
SA-1031	dressing buffer drive assy.
SA-1032	dressing buffer idler assy.



RP144

~~SA-1031~~ DRESSING BUFFER DRIVE ASSY



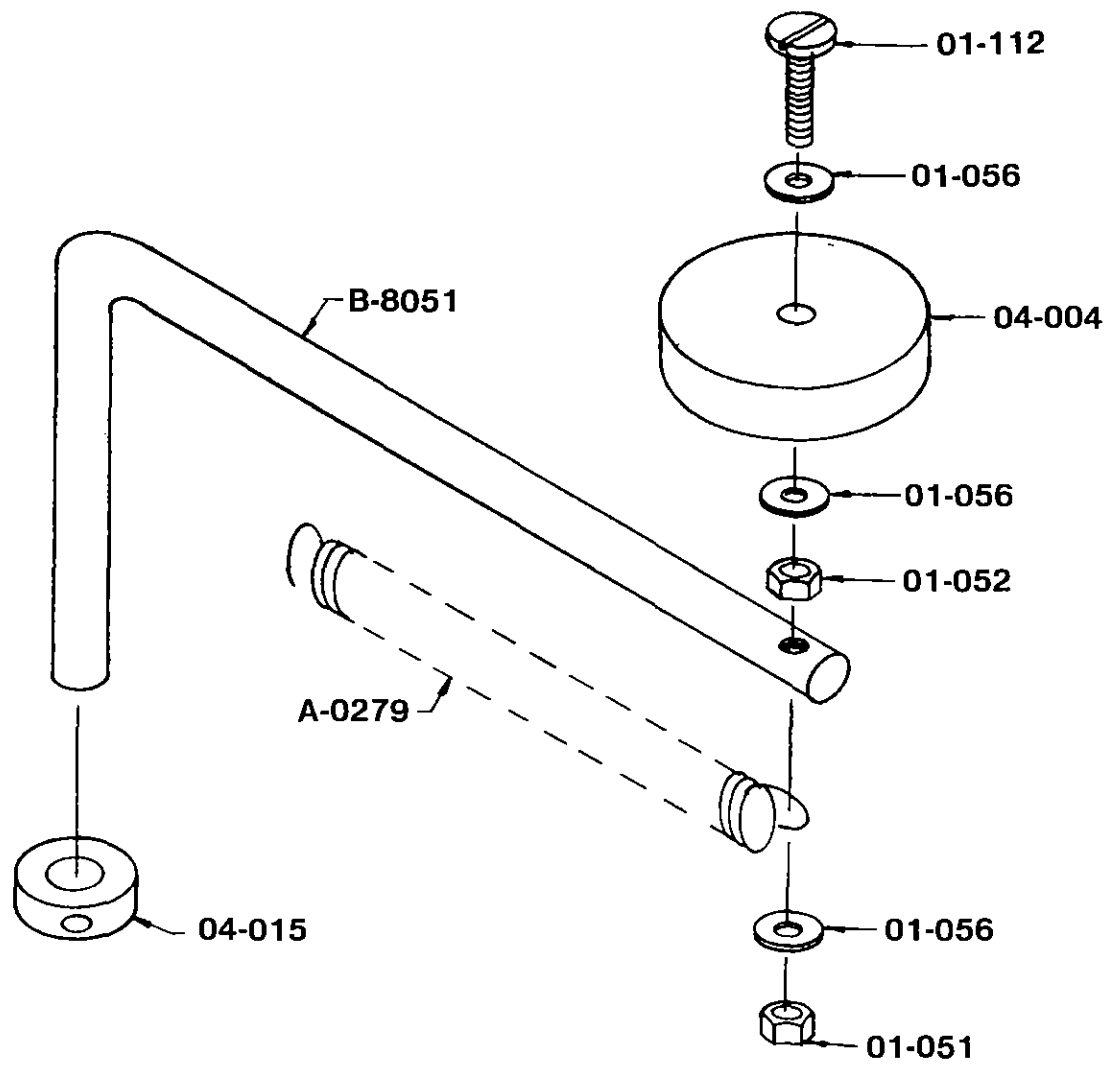
RP145

SA-1032 DRESSING BUFFER IDLER ASSY

BUFFER BEARING ASSEMBLIES

## CORD ARM ASSEMBLY

<u>Part No.</u>	<u>Description</u>
A-0279	Cord Arm Spring
● B-8051	Cord Arm
01-051	1/4-20 Nylon Insert Hex Locknut
01-052	1/4-20 Hex Steel Machine Nut
01-056	1/4 Flat Washer
01-112	1/4-20 x 2 Slotted Round Head Machine Screw
04-004	Caster Wheel
04-015	Set Screw Collar
SA-9017	cord arm assy



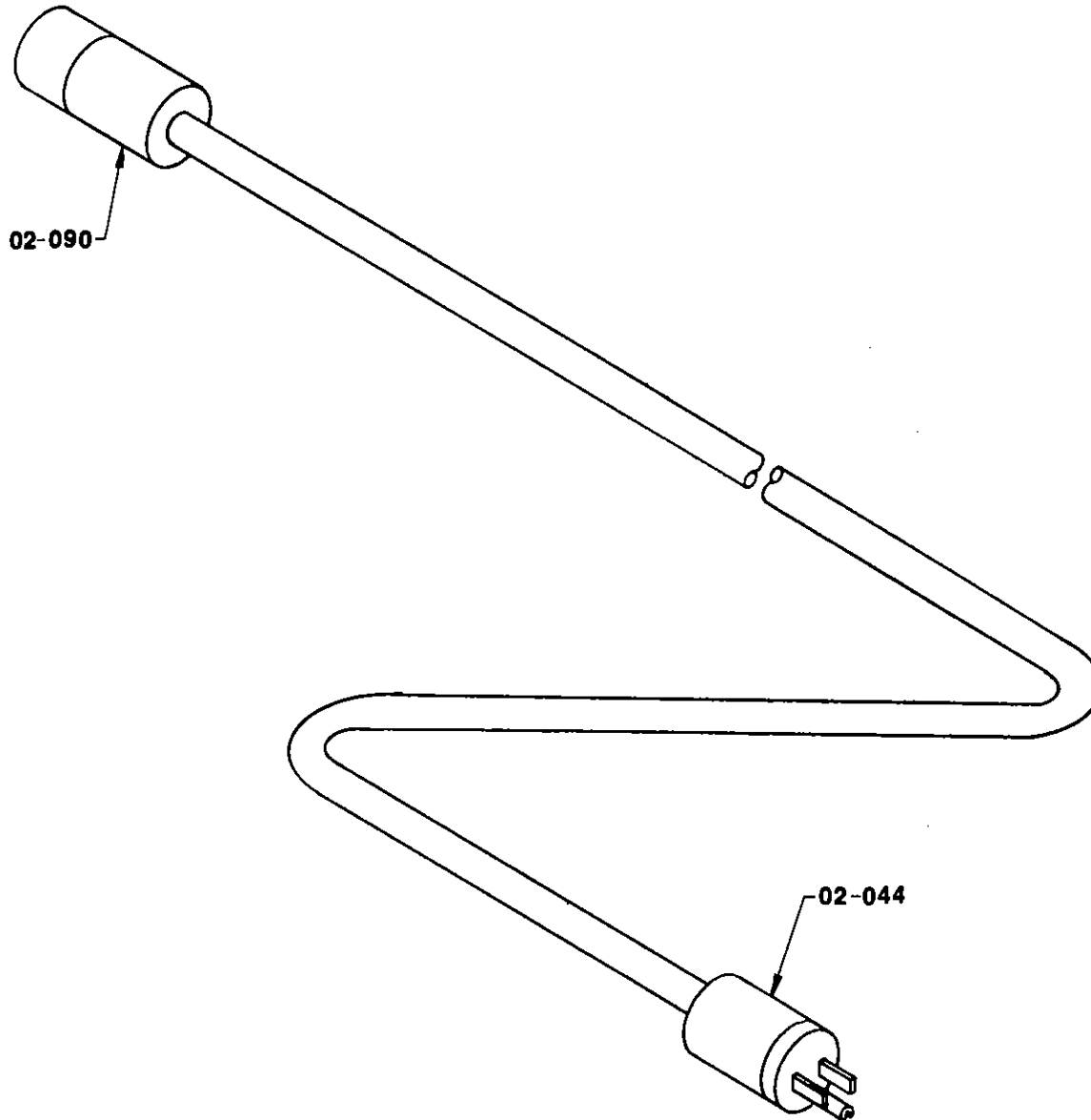
SA-9017  
CORD ARM ASSEMBLY

CORD ARM ASSEMBLY



## POWER CORD ASSEMBLY

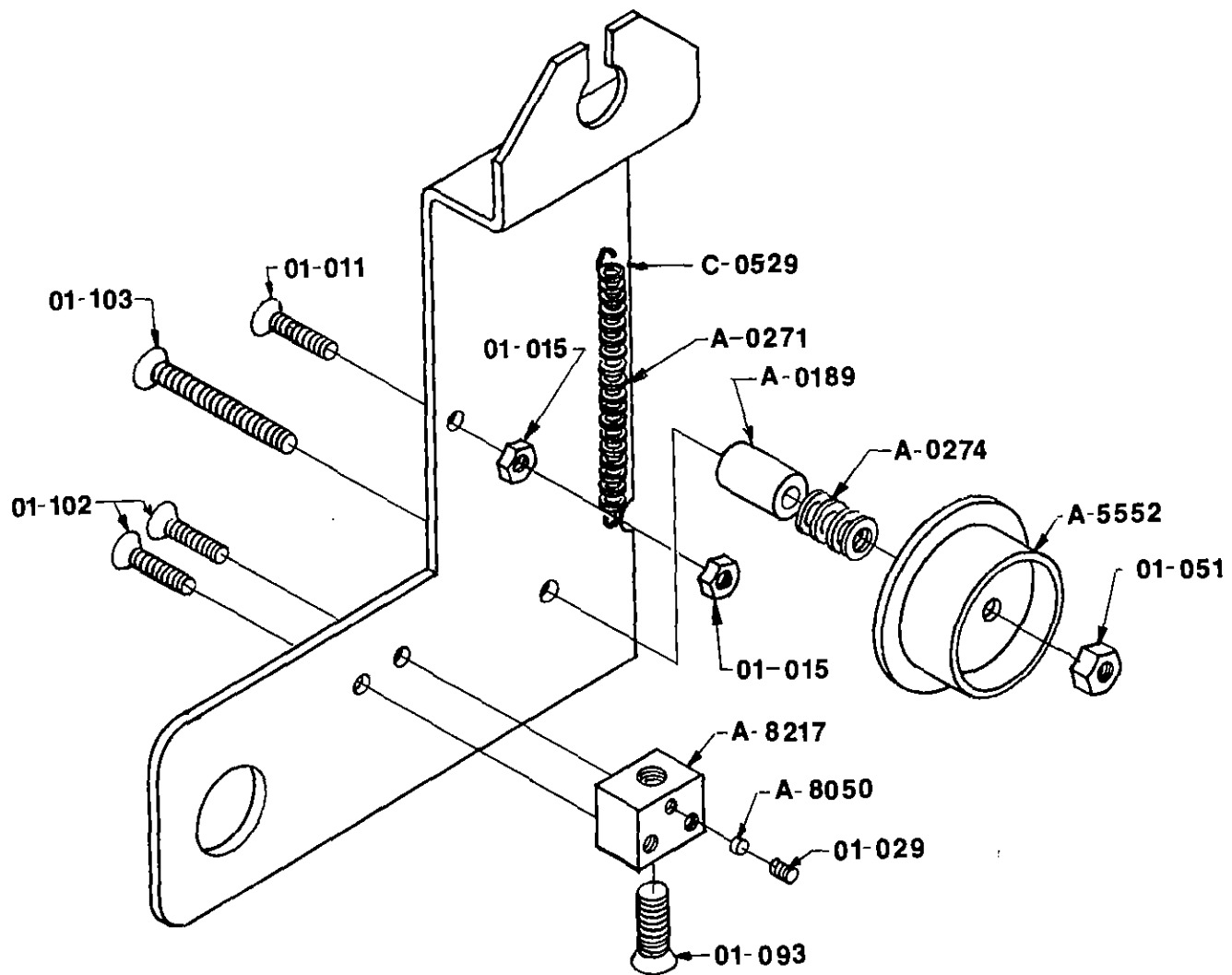
<u>Part No.</u>	<u>Description</u>
02-044	Grounding Cap
02-090	Connector Body
SA-3029	power cord assy.



SA-3029  
POWER CORD ASSEMBLY

## DUSTER IDLER BRACKET ASSEMBLY

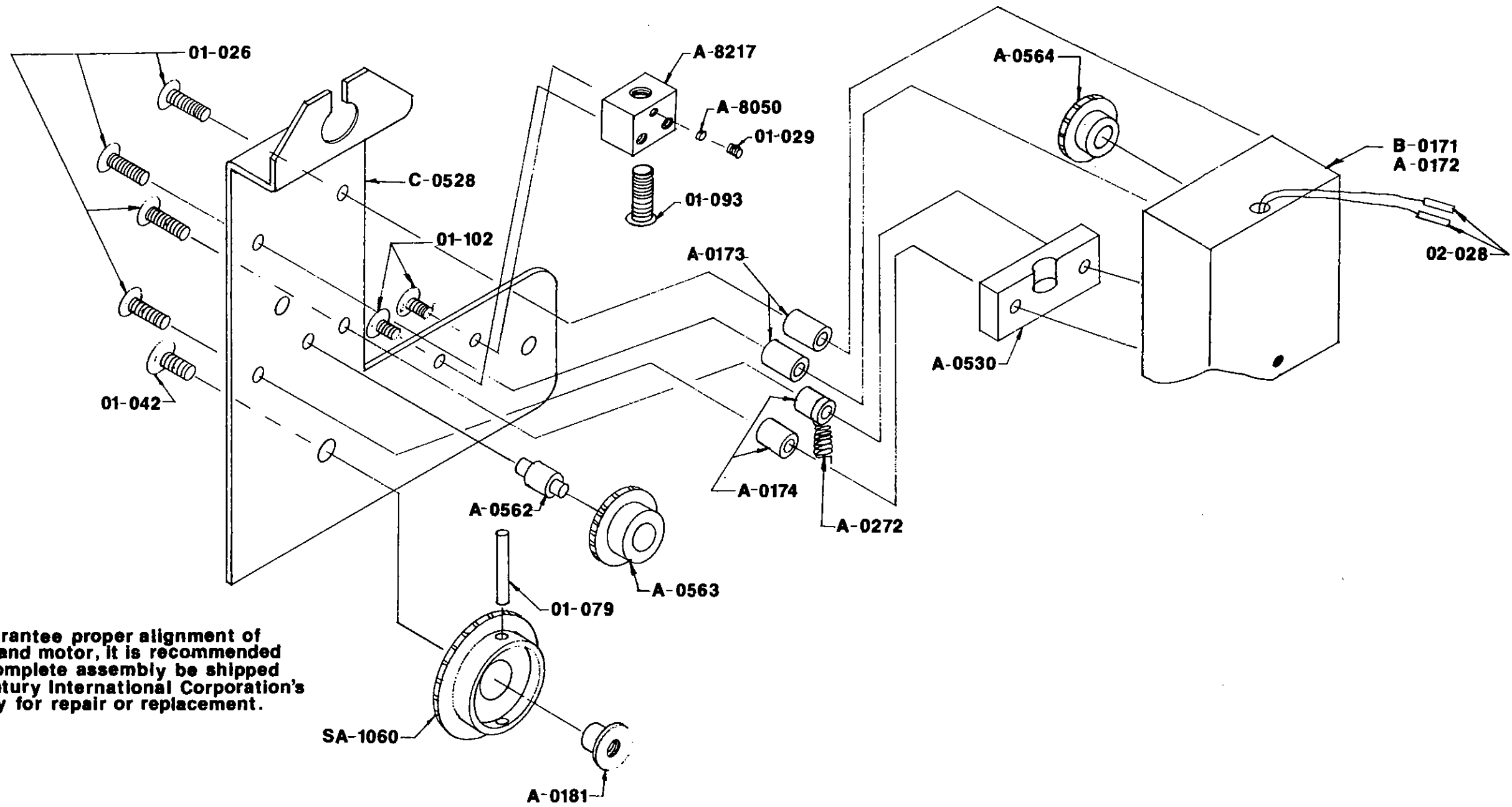
<u>Part No.</u>	<u>Description</u>
A-0189	Steel Roller Spacer - Short
A-0271	Duster Spring - Right Side
A-0274	Duster Cloth Spring
C-0529	Duster Roller Mounting Bracket
A-5552	Cloth Idler Support
A-8050	Adjuster Block Insert
A-8217	Duster Adjusting Block
01-011	8-32 x 1/2 Slotted Flat Head Machine Screw
01-015	8-32 Hex Steel Machine Nut
01-029	10-32 x 3/16 Socket Head Set Screw, Cup Point
01-051	1/4-20 Nylon Insert Hex Locknut
01-093	1/4-20 x 1-1/2 Slotted Round Head Machine Screw
01-102	10-32 x 3/8 Slotted Flat Head Machine Screw
01-103	1/4-20 x 1-3/4 Slotted Flat Head Machine Screw
SA-3022	duster idler bracket assy



**SA-3022**  
**DUSTER IDLER BRACKET ASSEMBLY**

## DUSTER DRIVE BRACKET ASSEMBLY

<u>Part No.</u>	<u>Description</u>
SA-1060	Cloth Take-Up Gear Assembly
B-0171	Duster Motor Cover
A-0172	Duster Gear Motor
A-0173	Duster Motor Sleeve Spacer - Long
A-0174	Duster Motor Sleeve Spacer - Short
A-0181	Cloth Take-Up Tube Bushing
A-0272	Duster Spring - Motor Side
C-0528	Duster Drive Mounting Bracket
A-0530	Duster Motor Spacer Block
A-0562	Duster Idler Gear Shaft
A-0563	Duster Idler Gear
A-0564	Duster Motor Gear
A-8050	Adjuster Block Insert
A-8217	Duster Adjusting Block
01-026	10-32 x 1-1/4 Slotted Flat Head Machine Screw
01-029	10-32 x 3/16 Socket Head Set Screw, Cup Point
01-042	1/4-20 x 1/2 Hex Socket Flat Countersunk Head Capscrew
01-079	1/8 Dia x 2 Roll Pin
01-093	1/4-20 x 1-1/2 Slotted Round Head Machine Screw
01-102	10-32 x 3/8 Slotted Flat Head Machine Screw
02-028	Butt Connector
SA-3021	duster drive bracket assy.

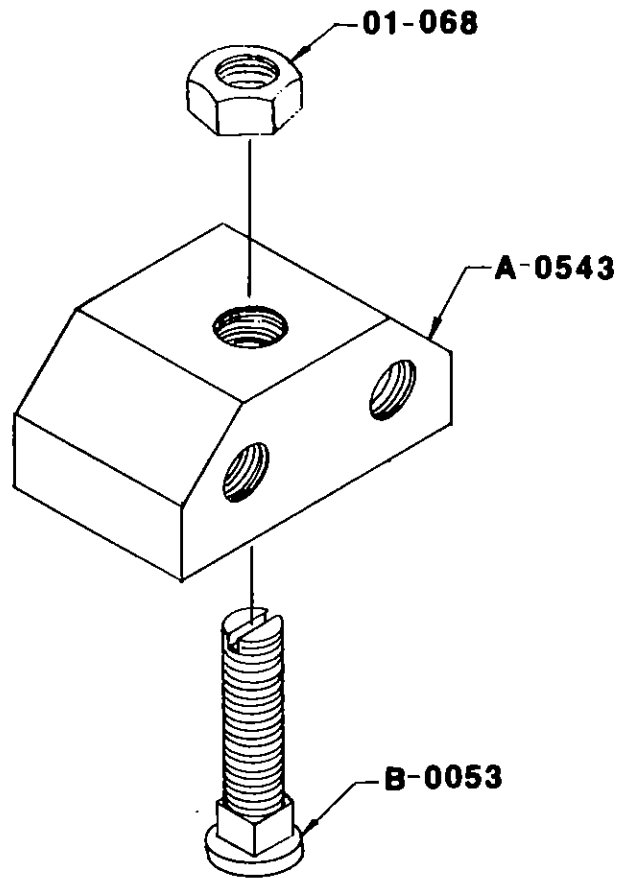


**NOTE:** To guarantee proper alignment of gears and motor, it is recommended that complete assembly be shipped to Century International Corporation's factory for repair or replacement.

**SA-3021  
DUSTER DRIVE BRACKET ASSEMBLY MODEL A,B & C**

## **BUFFER ADJUSTING BLOCK ASSEMBLY**

<u>Part No.</u>	<u>Description</u>
B-0053	Pressure Bar Adjusting Bolt
A-0543	Buffer Adjusting Block
01-068	3/8-16 Hex Thin Nut
SA-3014	buffer adjusting block assy.

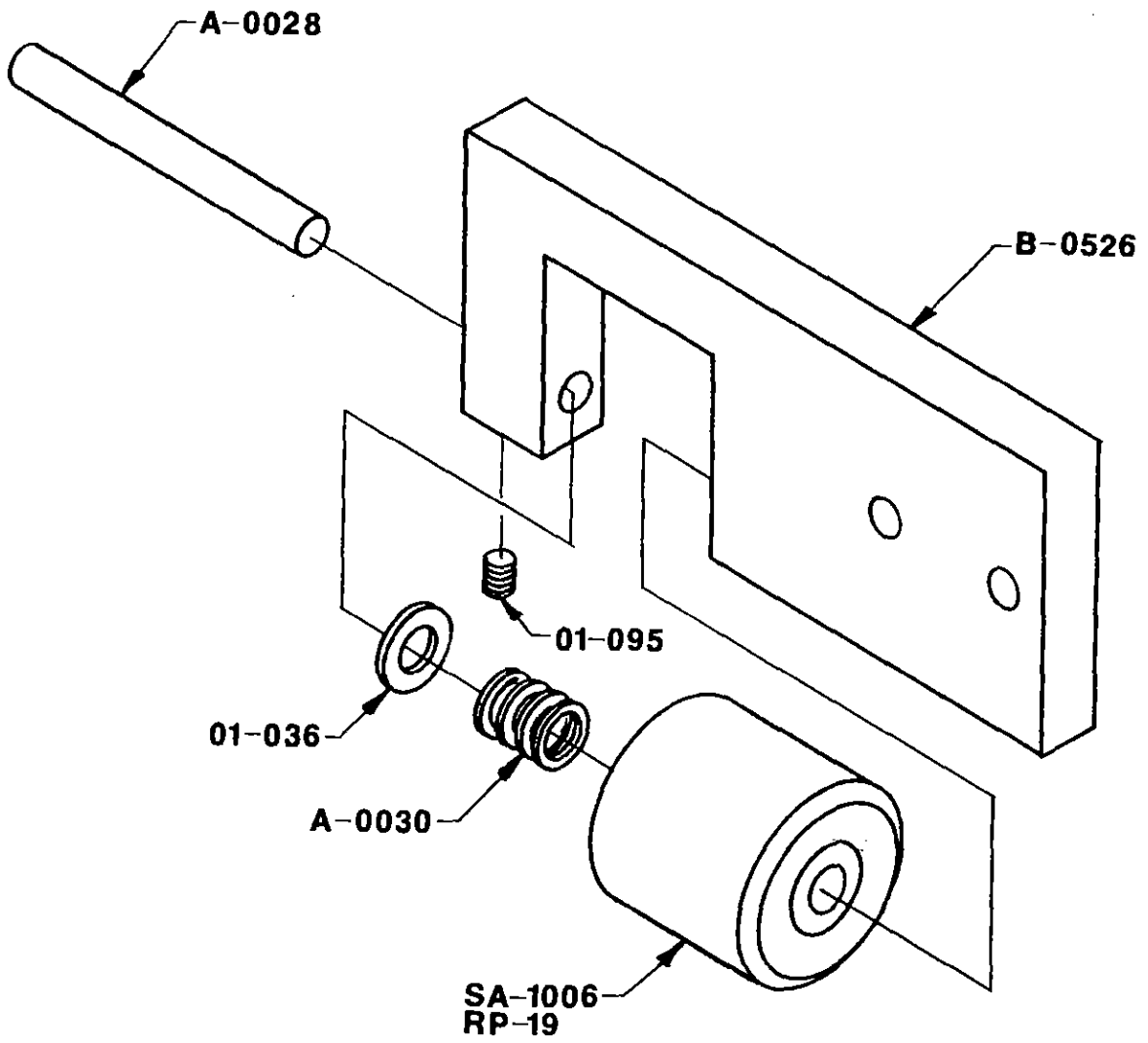


**SA-3014**  
**BUFFER ADJUSTING BLOCK ASSEMBLY**



## FRONT GUIDE BRACKET ASSEMBLY

<u>Part No.</u>	<u>Description</u>
SA-1006	Front Guide Roller Assembly
A-0028	Front Guide Bracket Roller Pin
A-0030	Front Guide Nylon Roller Spring
B-0526	Front Guide Bracket
*RP-19	Narrow Guide Set
01-036	3/16 Flat Washer
01-095	8-32 x 1/8 Hex Socket Head Set Screw, Cup Point
SA-3020	<i>front guide bracket assy</i>

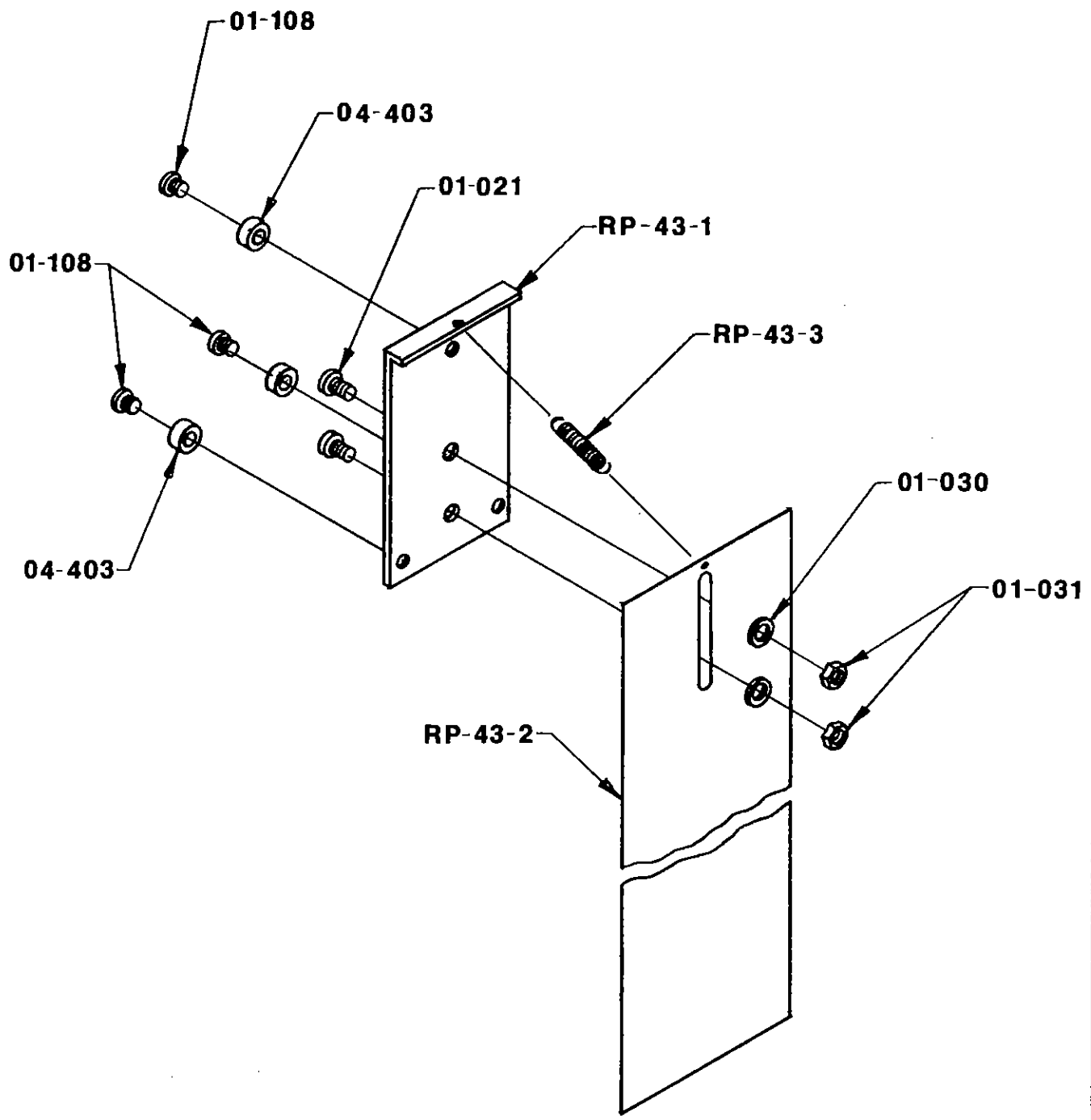


SA 3020

**FRONT GUIDE BRACKET ASSEMBLY**

## **BUFFER PRESSURE ADJUSTING TOOL**

<u>Part No.</u>	<u>Description</u>
RP-43-1	Aluminum Plate
RP-43-2	Plastic Gauge
RP-43-3	Spring
01-021	10-32 x 1/2 Slotted Pan Head Machine Screw
01-030	#10 Flat Washer
01-031	10-32 Hex Locknut
01-108	6-32 x 1/4 Slotted Pan Head Machine Screw
04-403	Rubber Bumper
RP-43	buffer pressure adjusting tool



**BUFFER PRESSURE ADJUSTING TOOL**

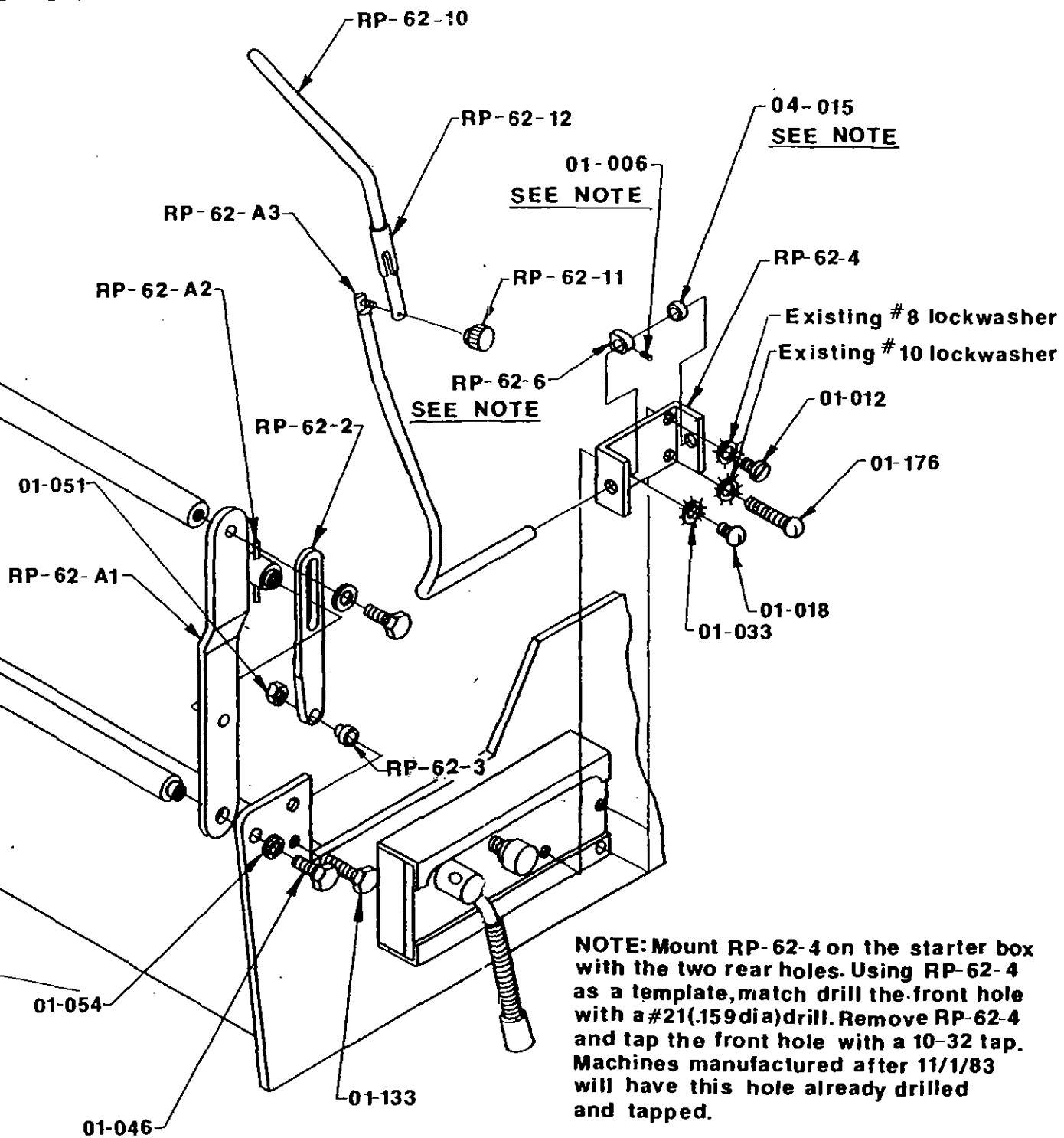
## HANDLE ASSEMBLY

<u>Part No.</u>	<u>Description</u>
RP-62-A1	Handle Bracket
RP-62-A2	Handle Lock
RP-62-A3	Extension Arm
RP-62-1	Support Bar
RP-62-2	Slide Plate
RP-62-3	Slide Plate Spacer
RP-62-4	Extension Bracket
RP-62-6	Extension Stop
RP-62-10	Extension Handle
RP-62-11	Arm Knob
RP-62-12	Arm Lock
01-006	8-32 x 3/16 Hex Socket Head Set Screw, Cup Point
01-012	8-32 x 5/8 Slotted Pan Head Machine Screw
01-018	10-32 x 3/8 Slotted Round Head Machine Screw
01-033	#10 External Lockwasher
01-046	1/4-20 x 3/4 Hex Head Bolt
01-051	1/4-20 Nylon Insert Hex Locknut
01-054	1/4 Lockwasher
01-133	1/4-20 x 1-1/2 Hex Head Bolt, Full Thread
01-176	10-32 x 1-3/4 Slotted Round Head Machine Screw
04-015	Set Screw Collar

**NOTE:** Slide RP-62-A3 through the first hole in RP-62-4. Position RP-62-6 and 04-015 on the shaft approximately as shown. Adjust RP-62-6 and 04-015 so that RP-62-A3 is vertical and has no front to back motion. Lock in place.

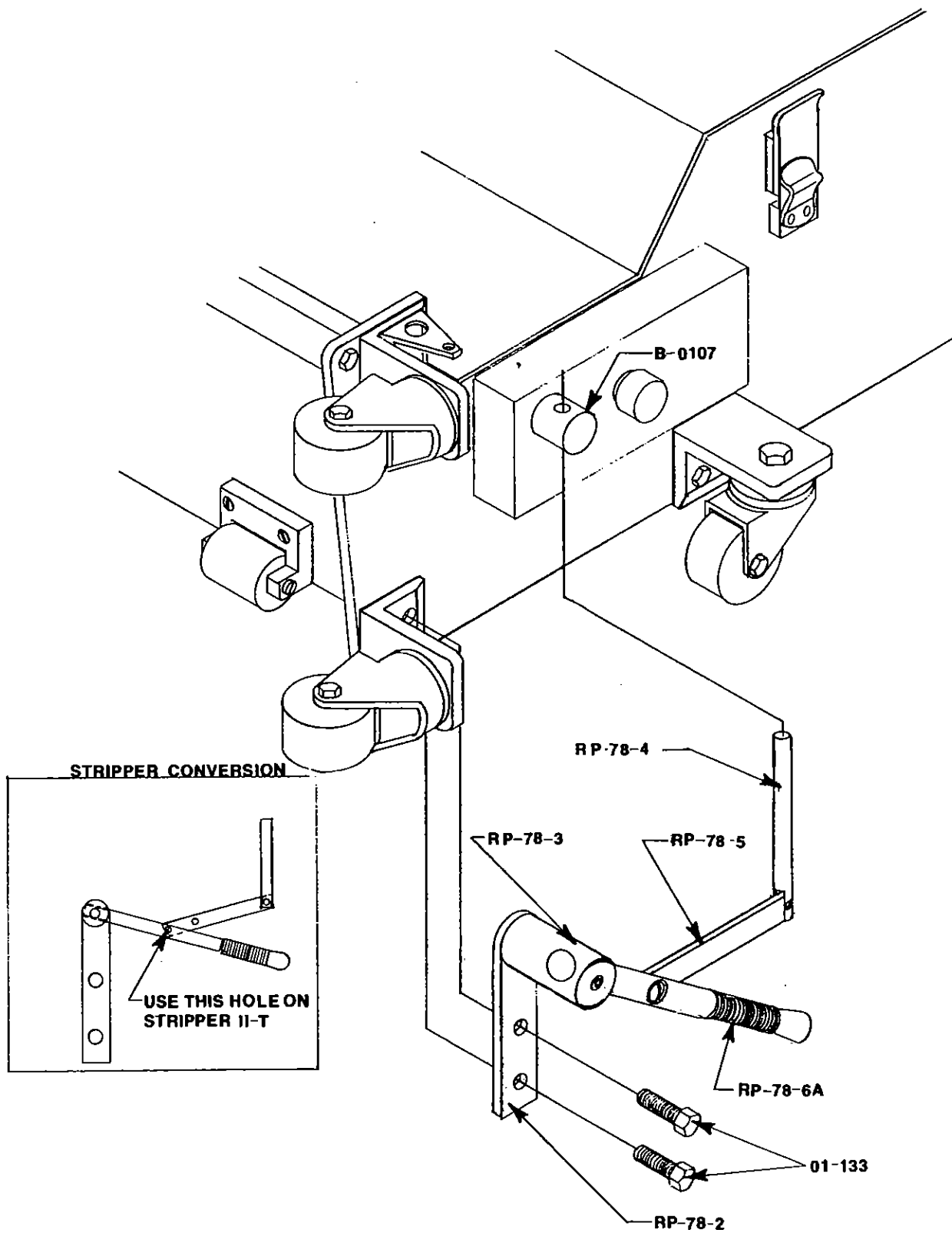
(Handle) as shown

5



**OPTIONAL SHUT-OFF ARM  
LINKAGE KIT RP-78**

<u>Part No.</u>	<u>Description</u>
RP-78-6A	Shut Off Arm Assembly
RP-78-2	Lower Bracket
RP-78-3	Pivot Rod
RP-78-4	Linkage Control Rod
RP-78-5	Linkage Support Braket
01-133	1/4-20 X 1 1/2 UNC Hex Screw Grade 5
RP-78	shut-off arm linkage kit



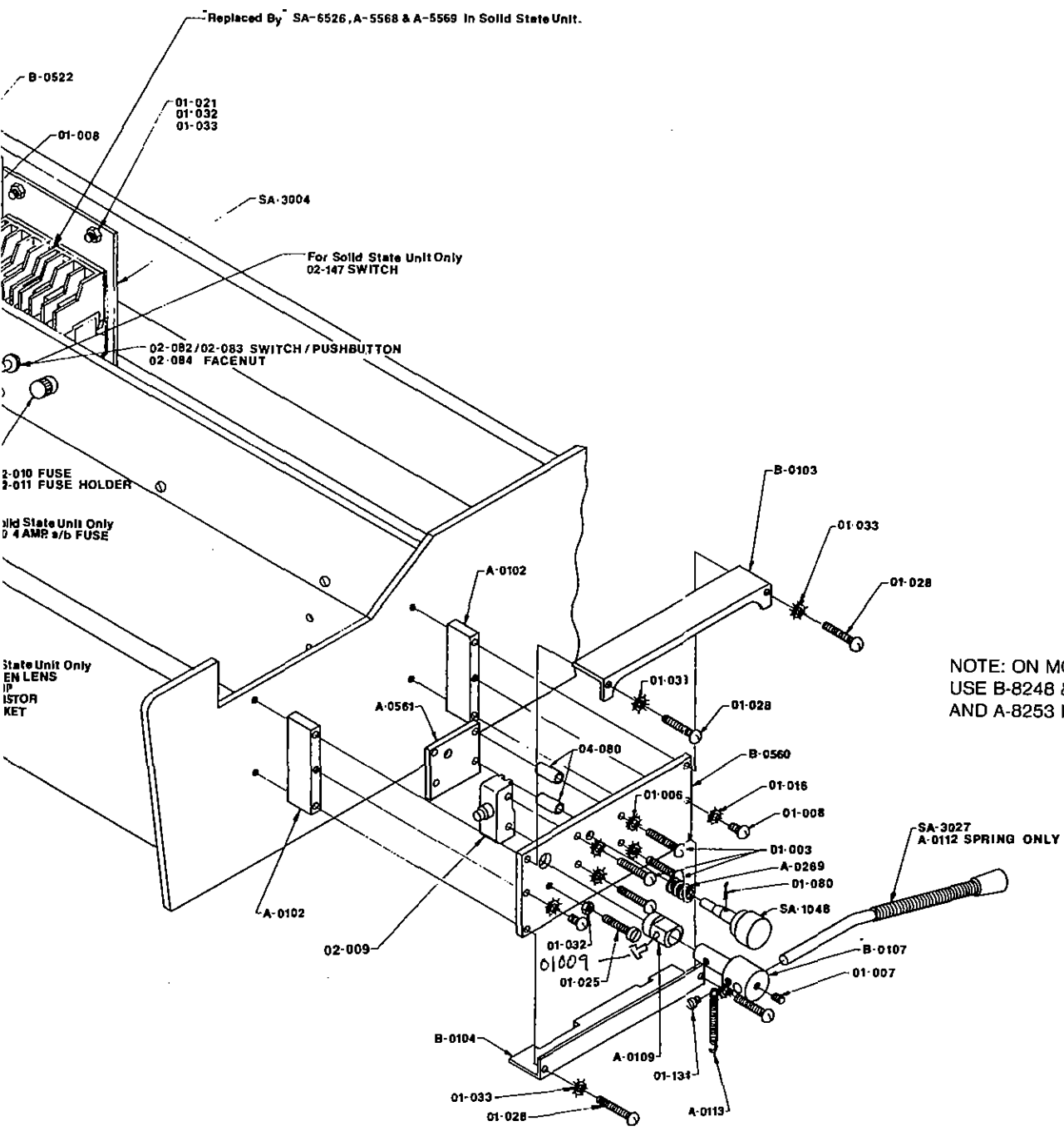
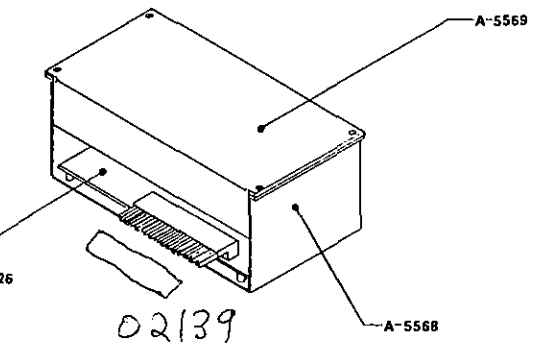
**OPTIONAL SHUT OFF ARM LINKAGE KIT**



## DASH ASSEMBLY — MODEL C

<u>Part No.</u>	<u>Description</u>
SA-1048	Starter Button Assembly
SA-3004	Contactora Assembly
SA-3027	Shut Off Arm Assembly
SA-6526	Circuit Board
A-0102	Starter Box Left Side Plate
B-0103	Starter Box Top Cover
B-0104	Starter Box Bottom Cover
B-0107	Shut Off Shaft
A-0109	Shut Off Cam
A-0112	Shut Off Arm Spring
A-0113	Shut Off Retract Spring
A-0269	Starter Button Spring
B-0522	Terminal Block Mounting Angle
B-0560	Starter Box Front Plate
A-0561	Starter Box Micro Mounting Plate
A-0570	Distance Pointer
A-0571	Oil Pointer
A-5568	Header Box
A-5569	Header Cover
RP-3	Pilot Light Bulb
01-003	6-32 x 1-1/4 Slotted Round Head Machine Screw
01-006	8-32 x 3/16 Hex Socket Head Set Screw, Cup Point
01-007	8-32 x 1/4 Hex Socket Head Set Screw, Cup Point
01-008	8-32 x 1/4 Slotted Pan Head Machine Screw
01-009	8-32 x 3/8 Slotted Pan Head Machine Screw
01-016	#8 External Lockwasher
01-021	10-32 x 1/2 Slotted Pan Head Machine Screw
01-025	10-32 x 1" Slotted Pan Head Machine Screw
01-028	10-32 x 1-1/2 Slotted Round Head Machine Screw
01-032	10-32 Hex Steel Machine Nut
01-033	#10 External Lockwasher
01-080	1/16 x 1/2 Cotter Pin
01-134	8-32 x 1/4 Slotted Flat Head Machine Screw
02-009	Micro Switch
02-010	Fuse - 6-1/4 Amp
02-011	Fuse Holder
02-015	Sectional Terminal Block
02-016	Terminal Block End Section
02-035	Switch
02-068	Pushbutton Operator
02-069	Pushbutton Operator Block
02-075	Fuse - 15 Amp
02-080	AC Contactor
02-082/083	Switch/Pushbutton Module
02-084	Knurled Facenut
02-089	3 Wire Plug
02-118	Transformer
02-119	Red Lens
02-120	Green Lens
02-140	Socket
02-141	Lamp
02-142	Resistor
02-143	Red Lens
02-145	Green Lens
02-147	Micro Switch
02-150	4 Amp Fuse
02-406	10 Amp Fuse
04-080	Spacer

02 139 connector housing



NOTE: ON MODEL D LC100  
USE B-8248 & A-8249 NOT B-0107  
AND A-8253 IN PLACE OF 01-028

<u>Part #</u>	<u>Description</u>	<u>Page #</u>	<u>Part #</u>	<u>Description</u>	<u>Page #</u>
O1002	6-32x1/2 slot rd screw	19	O1080	1/16x1/2 cotter pin	7,13,15,25,49
O1003	6-32x1 1/4 slt rd screw	15,49	O1082	3/16x1 1/8 roll pin	21
O1004	6-32 hex nut	19	O1087	3/16x2 roll pin	21
O1005	#6 lock washer	13,19	O1088	1/8x1/8 pop rivot	19
O1006	8-32x3/16 set screw	15,23,45,49	O1093	1/4-20x1 1/2 slt screw	5,35,37
O1007	8-32x1/4 set screw	15,25,49	O1095	8-32x1/8 set screw	41
O1008	8-32x1/4 pan screw	13,15,29,49	O1097	10-32x1/4 set screw	23,27
O1009	8-32x3/8 pan hd screw	25,49	O1098	13-32x3/8 set screw	7,27
O1010	8-32x1/2 slt pan screw	19	O1102	10-32x1 3/4 slt fl screw	35,37
O1011	8-32x1/2 slt flat screw	35	O1103	1/4-20 slot flat screw	35
O1012	8-32x5/8 slt pan screw	9,45	O1108	6-32x1/4 slt pan screw	43
O1015	8-32 hex nut	11,25,35	O1109	#8 flat washer	9
O1016	#8 lock washer	15,19,25,49	O1112	1/4-20x2 1/4 slt screw	11,31
O1018	10-32x3/8 slt rd screw	45	O1113	10-32x1/4 slt pn screw	13
O1019	10-32x3/8 slt pn screw	7,25	O1115	1/4-20x1/2 hex bolt	7,13
O1021	10-32x1/2 slt pn screw	7,15,43,49	O1116	1/4-20x1 1/2 carr. bolt	5,7
O1023	10-32x3/4 slt pn screw	5,11,25	O1118	3/8-16x3/4 hex bolt	7
O1025	10-32x1 slot pan screw	5,15,49	O1119	3/8-16 acorn nut	5
O1026	10-32x1 1/4 slt fl screw	37	O1120	3/16x7/8 roll pin	21
O1028	10-32x1 1/2 rd screw	15,49	O1123	10-32x5/8 slt flat screw	9
O1029	10-32x3/16 set screw	35,37	O1133	1/4-20x1 1/2 hex bolt	7,45,47
O1030	#10 flat washer	43	O1134	10-24x3/8 screw	15,49
O1031	#10 lock washer	43	O1159	7/16-20 lock nut	9
O1032	10-32 hex nut	15,25,49	O1161	phenolic washer	11,25
O1033	#10 lock washer	5,7,11,13,15,25,45,49	O1176	10-32x1 3/4 slt screw	45
O1036	3/16 flat washer	5,7,41	O1415	3/8-16 lock nut	11
O1037	3/16x1 clevis pin	7,13	O2002	110V solenoid C&D	7
O1038	3/16x1 1/2 clevis pin	7,13	O2009	switch start/stop	15,49
O1039	3/16x1 3/4 clevis pin	7,13	O2010	fuse- 6 1/4 amp	15,17,49
O1040	3/64x9/16 hair pin clip	7	O2011	fuse holder	15,17,49
O1041	1/4-20x1/4 set screw	5,7,21,29	O2015	sec. terminal block	15,49
O1042	1/4-20x1/2 flt cp screw	37	O2016	terminal block end sec.	15,49
O1044	1/4-20x5/8 hex bolt	5,13	O2028	butt connector	37
O1045	1/4-20x3/4 carr. bolt	7	O2035	switch	49
O1046	1/4-20x3/4 hex bolt	5,45	O2036	buffer & short rn switch	15
O1051	1/4-20 lock nut	11,31,35,45	O2037	old style transformer	17
O1052	1/4-20 hex nut	5,7,31	O2044	male plug end 110V	33
O1054	1/4 split lock washer	5,7,13,45	O2063	red lens	17
O1056	1/4 flat washer	7,9,11,13,31	O2064	green lens	17
O1059	5/16-18x3/4 hex bolt	9	O2068	push button operator	17,49
O1062	5/16-18 hex nut	11	O2069	push button oper block	17,49
O1063	5/16 split lock washer	11,13	O2070	switch	17
O1068	3/8-16 thin hex nut	39	O2071	switch	17
O1069	3/8 flat washer	11	O2074	solenoid A&B	7,15
O1070	3/8 split lock washer	5	O2075	fuse- 15 amp	15,17,49
O1078	1/8x3/4 roll pin	21	O2080	AC contactor	15,49
O1079	1/8x2 roll pin	11,37	O2082	push button switch	15,49
			O2083	push button switch	15,49

<u>Part #</u>	<u>Description</u>	<u>Page #</u>	<u>Part #</u>	<u>Description</u>	<u>Page #</u>
O2084	knurled face nut	15,49	O4154	brass nipple	13
O2089	3 wire plug	15,49	O4403	rubber bumper	43
O2090	cord end 110V	33	O4444	male elbow	13
O2118	transformer	15,17,49	A0022	base guide roller shaft	7
O2119	red lens	15,17,49	A0024	base guide roller spring	7
O2120	green lens	17,49	A0025	base guide roller wheel	7
O2121	blue lens	15	A0028	front guide bracket pin	41
O2122	amber lens	15	A0030	front roller guide spring	41
O2125	solenoid	13	A0035	drive shaft sprocket	21
O2127	switch	15	A0036	drive shaft washer	27
O2129	valve	13	A0041	buffer drive shaft end	7,21
O2139	connector housing	49	A0041-1	bearing lock collar	21
O2140	socket	49	A0068	receiver sprocket	27
O2141	lamp	49	A0070	idler sprocket chain	9
O2142	resistor	49	A0071	oil transfer roller chain	9,27
O2143	red lens	49	A0073	pillow block bearn shim	7
O2145	green lens	49	A0085	oil buff bearn mnt sprin	29
O2147	manual reverse switch	49	A0102	start box left side plate	49
O2150	fuse- 4 amp	49	A0109	shut off cam	49
O2292	gearmotor 220V	23	A0112	shut off arm spring	49
O2293	microswitch	25	A0113	shut off retract spring	49
O2406	fuse- 10 amp	49	A0120	set screw slug	25
O2525	gearmotor 110V	23	A0148	end side handle	5
O3001	sprocket	27	A0167-1	duster tube cover	11
O3004	pillow block bearing	21	A0172	gearmotor 110V	37
O3007	sprocket	27	A0173	sleeve spacer- long	37
O3009	connecting link	9,27	A0174	sleeve spacer- short	37
O3016	rubber spider coupling	9,29	A0181	cloth tube bushing	37
O3019	pulley	7	A0189	roller spacer- short	11,35
O3031	belt	5	A0192	cloth idler tube	11
O3032	sprocket	7,23	A0197	hood hinge	19
O3034	pulley	7,23	A0209	cloth rubber worm drive	25
O3038	buffer drive belt A	7	A0212	upr cam outshft spacer	25
O3039	#35 roller chain	5	A0231	front tnk spring retainer	7
O3040	connecting link	7	A0232	rear tnk spring retainer	7
O3042	buffer drive belt B,C,&D	7	A0233	oil tnk cmp spring A&B	7
O4004	caster wheel only	5,31	A0251	solvent tank plug	13
O4013	brass hex nipple	13	A0263	viton washer	13
O4015	set screw collar	27,31,45	A0269	start button spring	49
O4024	hood pull	19	A0271	spring- right side	35
O4027	rubber grommet	25	A0272	spring- motor side	37
O4028	flanged bushing	25	A0274	spring- motor side	11,35
O4029	flanged bushing	25	A0275	cambox & brake spring	25
O4033	brass elbow	13	A0279	cord arm spring	31
O4036	poly tubing	13	A0511	end plate handle	5
O4071	caster wheel assy.	5	A0513	handle side bracket	5
O4073	draw pull latch	19	A0521	drive shaft sprocket	21
O4080	spacer	15,49	A0524	drive motor spacer	7

<u>Part #</u>	<u>Description</u>	<u>Page #</u>	<u>Part #</u>	<u>Description</u>	<u>Page #</u>
A0525	timing gear shaft	7	A8050	block adjuster insert	35,37
A0527	front guide spacer	5	A8208	solvent cover- right	13
A0530	spacer motor block	37	A8209	solvent cover- left	13
A0532	cam	25	A8212	duster cloth idler	11
A0533	lower cam shaft	25	A8213	tray solenoid- left	13
A0534	outer cam shaft	25	A8214	manifold adj. support	13
A0535	inner cam shaft	25	A8215	manifold adjuster	13
A0536	cam clutch	25	A8217	duster adjusting block	13,35,37
A0543	buffer adjusting block	39	A8218	duster stop	11
A0548	retaining ring	9	A8219	linkage swivel	13
A0552	solenoid tank arm A&B	7	A8220	linkage nut	13
A0553	tank push rod A&B	7	A8221	linkage stud	13
A0555	brake disc	21	A8222	linkage arm	13
A0557	brake pad	7	A8223	linkage lock	13
A0558	top brake bracket	7	A8224	duster alignment nut	11
A0559	bottom brake bracket	7	A8225	dust alignment washer	11
A0561	start bx mounting plate	49	B0040	drive wheel hub- pair	21
A0562	duster idler gear shaft	37	B0040-L	drive wheel hub- left	21
A0563	duster idler gear mod.	37	B0040-R	drive wheel hub- right	21
A0564	duster motor gear mod	37	B0053	buffer adjusting bolt	39
A0565	brake spring bolt	7	B0063	transfer rollr drive shaft	27
A0566	brake spring	7	B0103	start box top cover	49
A0568	drive shaft chain	7	B0104	start box bottom cover	49
A0570	distance pointer	17,49	B0107	shut off shaft	49
A0571	oil pointer	17,49	B0116	tk solenoid arm bracket	7
A0581	distance control arm	25	B0142	end hldr handle bracket	5
A0583	oil transfer roller spring	9	B0171	duster gearmotor cover	37
A0586	pivot caster block	5	B0198	hood hanger	19
A0592	brake pivot	7	B0208	worm gear clutch drive	25
A0593	brake linkage	7	B0210	slip clutch plate	25
A0594	brake spacer	7	B0227	oil tank metal retainer	9
A0595	brake lever	7	B0234	oil tk push rod bracket	9
A0597	"U" joint	7	B0506	caster bracket	5
A0598	"U" joint shaft	7	B0507	centering guide plate	5
A0600	solenoid arm brct C&D	7	B0520	drive shaft	21
A0601	tank solenoid arm C&D	7	B0522	term. block mount ang.	49
A0602	tank solenoid rod C&D	7	B0526	front guide bracket	41
A0603	tank pull rod C&D	7	B0554	tk solenoid linkge A&B	7
A5037	oil tank linkage spring	7	B0560	start box front plate	49
A5038	oil tank return spring	7	B0585-L	pvt caster bracket- left	5
A5046	shut off valve	13	B0585-R	pvt caster bracket- right	5
A5545	cloth idler end	11	B5012	rear plate handle	5
A5547	bearing bushing stud	9	B5027	cord arm bracket	5
A5552	cloth idler support	11,35	B8051	cord arm only	31
A5568	head box	49	C0200-1	cam box lid only	25
A5569	head cover	49	C0512	hood hinge	19
A8034	solvent tank	13	C0519	hood hanger	19
A8035	solvent manifold	13	C0528	drive mounting bracket	37

<u>Part #</u>	<u>Description</u>	<u>Page #</u>	<u>Part #</u>	<u>Description</u>	<u>Page #</u>
C0529	roller mounting bracket	35	SA1054	buffer tube assy. comp.	9
C0531	cambox mounting plate	7,25	SA1056	pressure roller assy.	11
PO501	orifice	13	SA1060	cloth take up gear assy	37
RP1	replace points- lower	7	SA1062	oil cloth drive tube assy	11
RP2	replace points- upper	7	SA1064	dressing tank assy.	9
RP3	pilot light bulb	17,49	SA1065	tk adjusting arm assy.	9
RP19	narrow guide set	7,41	SA3000	drive shaft assy.	7,21
RP20	reverse bellows assy.	7	SA3001	drive motor assy.- 60hz	7,23
RP31	caster o-ring	5	SA3003	reversing unit assy.	7
RP33	valve nut tool	13	SA3004	contactor assy.	49
RP41	plastic sleeve	13	SA3005	microblock assy. A&B	25
RP42	plastic funnel	13	SA3006	cam box pulley assy.	25
RP43	adjust pressure tool	43	SA3007	cam box assy. A&B	7,25
RP43-1	aluminum plate	43	SA3012	oil end plate roller assy	5
RP43-2	plastic gauge	43	SA3013	dash end plit roller assy	5
RP43-3	spring	43	SA3014	buffer adjusting assy	9,39
RP62-1	support bar	45	SA3018	buffer tube cover assy.	9
RP62-2	side plate	45	SA3020	frt guide bracket assy.	41
RP62-3	side plate spacer	45	SA3021	drive bracket assy. C	11,37
RP62-4	extension bracket	45	SA3021-1	drive bracket assy A&B	11
RP62-6	extension stop	45	SA3022	idler bracket assy. C	11,35
RP62-10	extension handle	45	SA3022-1	idler bracket assy A&B	11
RP62-11	arm knob	45	SA3023-L	support arm assy- left	27
RP62-12	arm lock	45	SA3023-R	support arm assy- right	27
RP62-A1	handle bracket	45	SA3026	transfer drive roller ass	9,27
RP62-A2	handle lock	45	SA3027	shut off arm assy.	49
RP62-A3	extension arm	45	SA3029	power cord assy.	33
RP78	shut off arm kit	47	SA3032	buffer motor assy- 60hz	7
RP78-2	lower bracket	47	SA3033	drive motor assy.- 50hz	7,23
RP78-3	pivot rod	47	SA3034	buffer motor assy- 50hz	7
RP78-4	linkage control rod	47	SA3100	reversing unit assy. B	7
RP78-5	linkage support bracket	47	SA3101	micro block assy. B	25
RP78-6A	shut off arm assy.	47	SA3103	cam box assy. B	7,25
RP197	elec. Brake kit 110V	7	SA3111	reversing unit assy C	7
RP198	elec. Brake kit 220V	7	SA3112	micro block assy C	25
SA1005	base guide roller assy.	7	SA3114	cam box assy C	7,25
SA1006	front guide roller assy.	41	SA3117	oil pressure roller assy	11
SA1022	oil transfer roller assy.	27	SA6526	circuit board	49
SA1023-L	support arm assy.- left	27	SA8511	tray mount assy.- right	13
SA1023-R	support arm assy.- rt	27	SA8512	tray mount assy.- left	13
SA1028	chain idler assy.	9	SA8514	solvent tray assy.	13
SA1031	drive bearing assy.	9,29	SA8527	clean pad cov. w/velcro	13
SA1032	idler bearing assy.	9,29	SA9015	drain tube assy.	13
SA1045	cam worm shaft assy.	25	SA9017	cord arm assy- short	31
SA1048	start button assy.	49	SA8515	contactor assy. hot SS	15

Double Oil Kit: AP38

Buffer Brush Kit: 294-080-134

Electronic Brake Kit: RP197

Brake Board: SA1199

Oil Buffer Drive Bearing Replacement Kit (Green Brush): RP144

Oil Buffer Idler Bearing Replacement Kit (Green Brush): RP145

Wick Insertion Tool Weldment: RP59-1

Buffer Tube Cover: RP110

7 to 7 Buffer Tube Cover: 294-002-301

10 to 10 Buffer Tube Cover: 294-002-302